

Mercedes-Benz



Mercedes-Benz transporters vans



AUTOLIT



Automobile - Truck - Motorcycle 1900 to Present
ORIGINAL Sales Brochures, Manuals, Books, Posters,
Catalogs, and MUCH More. World's largest selection!



AUTOLIT



Automobile - Truck - Motorcycle 1900 to Present
ORIGINAL Sales Brochures, Manuals, Books, Posters,
Catalogs, and MUCH More. World's largest selection!



5 Rear doors with a fixed window give the driver a better rear view through the vehicle. The loading space is in addition well illuminated. If a trailer coupling is used the number plate is placed above it.

6 Reversing lights — for safe reversing in the dark.

7 Collision extra stabilizer under the frame. This can't resonance to swaying is increased, which is an advantage e.g. with high bodies.

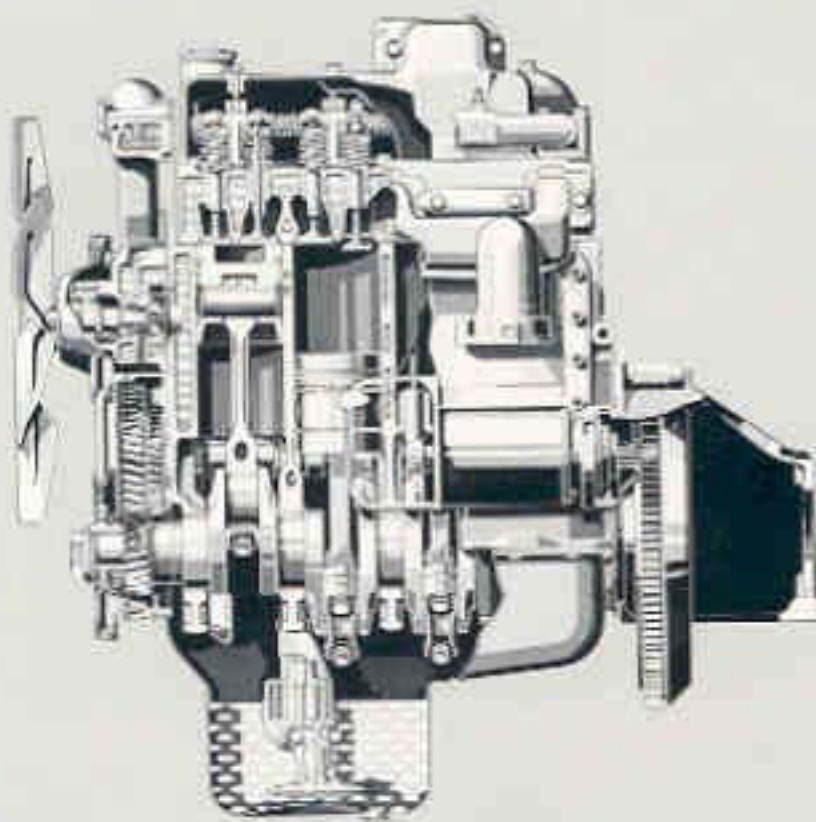
8 The protective rail at the rear prevents damage to the transporter. The rail peels off especially in narrow corridors or when backing up to loading ramps.

9 The spare wheel — neatly and handily stored in the cargo area.

10 The adjustable flap in the roof serves to ventilate the loading space.

11 The electrical roof ventilation system ventilates the loading space. It is operated from the driver's seat.



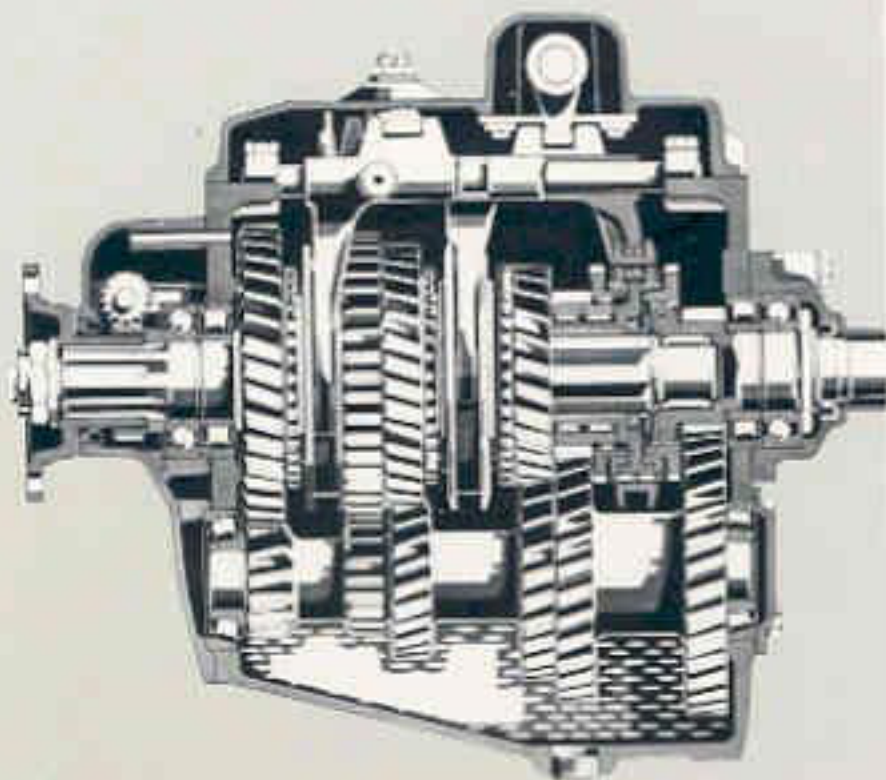


4 4-cylinder diesel engine OM 214 with direct injection

Engine power 85 hp DIN at 2,300 rpm, displacement 2762 cc. Low fuel consumption. Special characteristics: armoured valve seats, and valve gear rings on the inlet and outlet valves. 5-bearings for crankshaft, thus quiet running. Crankshaft and connecting-rod rest in multilayered steel-backed bearings. Thermostat ensures that the cooling water temperature remains constant.

5 5-speed synchromesh transmission for engine OM 214

5 well-graded gears, with which the driver can always get the best out of his engine. 5 synchronised gears, which are easily engaged. 5-speed transmission, developed by Mercedes-Benz from the beginning for the OM 214 engine, and therefore especially suitable for this type of engine.



5



5.000 service stations all over the world



Even the best transporter is only as good as its service. For this reason, Daimler-Benz have established 5,000 well-equipped service stations. All over the world. In every country where Mercedes-Benz vehicles are available — and there are very few where this is not the case.

Qualified experts ensure that your vehicle is taken care of and looked after in the best possible way. They employ modern equipment and techniques so that the Daimler-Benz service is of the same high quality throughout the world. In 5,000 different places. Certain customer-owned

vehicles are also illustrated in the catalogue. We should, however, point out that the particular fittings and finish of the same are not always obtainable as standard items.

AUTOLIT



Automobile — Truck — Motorcycle 1900 to Present
ORIGINAL Sales Brochures, Manuals, Books, Posters,
Catalogs, and MUCH More. World's largest selection!