

KENWORTH LH-D SERIES



KENWORTH LH-D SERIES

Available as:

K100CR LH-D

W900S2R LH-D

22.7-23.6 Tonne (50,000-52,000lb) G.V.W.

38.5-45.4 Tonne (85,000-100,000lb) G.C.W.

(Nominal ratings, dependent on application)

OPTIONAL ENGINES:

NTC230 (230 HP)

VT300 (300 HP)

NTC300 (300 HP)

6V92TTA (307 HP)

VT320 (320 HP)

6V92TA (335 HP)

Standard specifications:

RADIATOR: To suit engine selected.

ELECTRICAL EQUIPMENT: Alternator to suit engine, 24 volt starting. Four 6 volt, 19 plate batteries.

TRANSMISSION: Fuller Roadranger RT-915, 15 speed with two-plate clutch. SAE # 1 aluminium bell-housing, cast iron case.

DRIVELINE: Spicer 1710 Series, needle bearing universal joints, balanced tubing.

FRONT AXLE: Rockwell FF-931-TW. 5444kg (12,000lb) capacity. Front axle shock absorbers.

STEERING: Power steering. 559mm (22") diameter steering wheel.

REAR AXLE: Depending on model, rear axle is either single drive or dual drive.

BRAKES: Dual line air braking system. Flexible wire braided air piping.

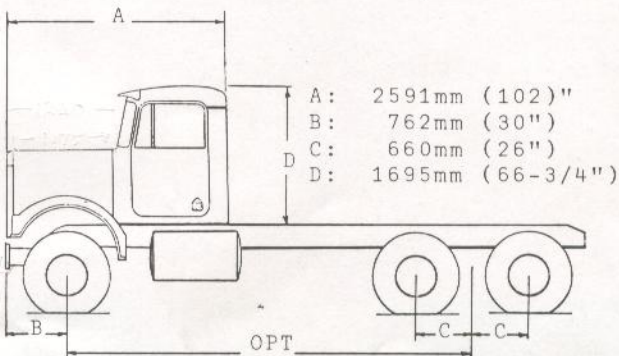
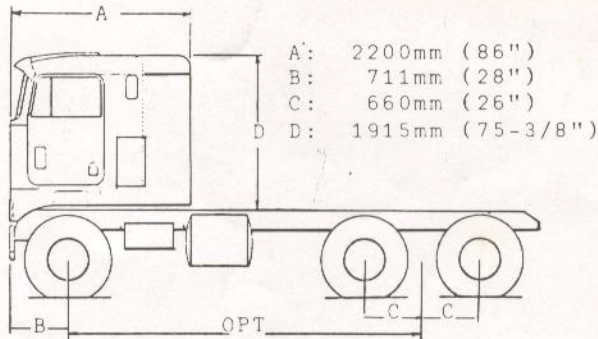
Brake size front: 381 x 102mm (15" x 4")

Brake size rear: 419 x 178mm (16½" x 7")

Spring brake parking brakes on drive axles.

TYRES AND RIMS: Not included in base model specification.

FRAME: Heat treated alloy steel. Dimensions: 257mm depth, 83mm flanges, 8mm thickness (10⅞" x 3¼" x 5/16"), free fit, all bolted construction.



CAB: Kenworth cab. Aluminium and fibreglass construction. Fully lined and insulated, aluminium bulkhead doors with continuous weather seals and piano type hinges. On COE padded sleeper crawl through. Laminated windscreen; safety glass throughout. Air-ride driver's seat, toolbox rider's seat, interior lights, dual motor air windscreen wipers, windscreen washers, sunvisors, cigar lighter, ashtray, Grover dual airhorns, electric horn, dual exterior heated mirrors. Log book holder.

Console Tilt Out Dash.

Instruments: Electronic speedometer and tachometer, fuel gauge, ammeter, oil pressure, water temperature and air reservoir pressure gauges, low air pressure wig-wag, low oil pressure, high water temperature and low air pressure warning light.

Lights: Dual Quartz Halogen headlights, parklights, 5 bus marker lights, 2 clearance lights mounted on mirrors, amber turn signals, stop and tail lights.

Kombo heater/demister system, two cab fans, lap/sash belts on both seats, deluxe cab and door trim, digital clock/radio/cassette.

FUEL TANK: 280L (62 Imp. Gallon) 622mm (24½") diameter aluminium.

STANDARD EQUIPMENT: Gullwing aluminium bumper with removable tow hook. Wheel wrench and 12.2 tonne (12 ton) hydraulic jack. Steel battery box, left side mount.

PAINT: Painted to customer's specifications in acrylic enamel (Standard - one color).



A SUBSIDIARY OF PACCAR INC