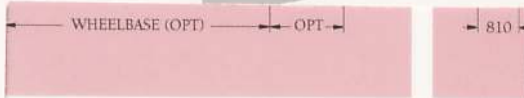


T950

 **KENWORTH**





ost Professional excellence in the
ial Dealer Network truck industry. A
Kenworth truck is computerised par
ted in the field by ensures that Kenwo
prehensive network provide a part
hly qualified dealers to owners that is

Made in Australia

Kenworth trucks are designed and manufactured in Australia to perform in some of the toughest and most demanding applications anywhere in the world. They are application-engineered to exacting standards, using the best in technology and componentry. On a whole-of-life cost basis, there are few trucks that come anywhere near a Kenworth in helping to produce a better bottom line for your business.

TRADITIONAL STYLE

If you want a truck with traditional looks and style, that is tough enough to stand up to harsh Australian conditions, then the T950 is the truck for you.

Modelled on the legendary SAR, this truck has everything that comes to mind when you think of a traditional American-style long bonneted truck. As well as looking the part, the T950 has been designed with the versatility to operate in almost any application from logging to livestock, whether pulling a single trailer or a triple road train.

Designed, proven and manufactured in Australia, the T950 is built to handle the most demanding operating conditions both on and off highway, with the reliability that only Kenworth delivers.



ADVANCED DESIGN BENEFITS



The T950 is available with an extensive choice of options. Dual exhausts can be fitted with the option of having your name laser cut into the exhaust shields. Add to this the classic chrome grille, Kenworth designed bull bars, aluminium wheels, and the T950 will stand well apart from other trucks on the road.



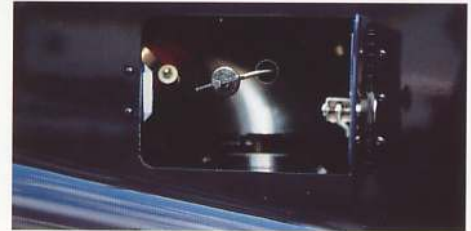
LASER CUT EXHAUST SHIELD

A distinctive feature of the T950 is the high mounted cab set back from the engine. This means that there is no engine intrusion into the cabin, allowing for easy all round access to the engine making servicing and maintenance fast and efficient. The high mounted cab also allows flexibility in the frame layout. Batteries can be located under the cab leaving more room on the frame for fuel tanks, or shortening the wheel base.



BATTERIES UNDER CAB

If you prefer the luxury of tool boxes under the cabin, the batteries can be frame mounted.



DIPSTICK ACCESS THROUGH BONNET



MULTIPLE FUEL TANKS



TOOL BOX UNDER CABIN



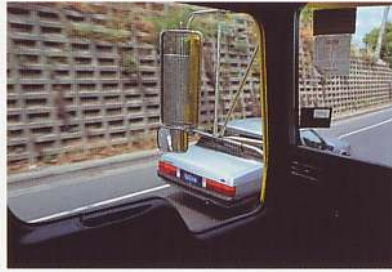
DRIVER COMFORT AND SAFETY

Ergonomics of the cab have been specifically designed for the professional driver. Vital controls fall readily to hand without the need for excessive movement or distraction. The sloped bonnet makes for easy forward vision and new Daylite doors, with drop down glass section, improve sideways vision and safety. Traditional doors can be fitted as an option.

The T950 can be fitted with an optional dual skin fire wall which ducts fresh air down past the front of the cabin and out underneath the floor taking noise and engine heat with it. Consequently transfer of noise and heat into the cabin is substantially reduced making the cabin cooler and more comfortable for the driver.



FIRE WALL VIEW



DAYLITE DOOR VIEW



A TRUE INVESTMENT



Kenworths are renowned for their high resale value which makes the purchase of any Kenworth a worthy investment. Undoubtedly one of the best looking trucks on the road, the T950 is a truck which others aspire to own, so when the time comes to look to a new Kenworth, the excellent resale value of the T950 will make the move an easy one.



TOTAL OPTION FLEXIBILITY

The latest options and horsepower ratings from the North American engine manufacturers can be fitted to the T950 giving you the power you need to get the job done. Matched with the latest in transmissions and rear axles, the T950 can be ordered to exactly meet your operating needs.

The full range of Kenworth manufactured sleeper boxes are available for the T950 in 915mm and 1270mm sizes, with the standard flat roof or a range of aerodynamic roofs and /or fairings.

A range of suspensions packages are available including the new Kenworth Airglide 200.



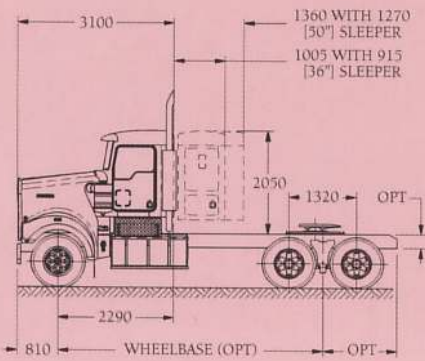
Made in Australia

Kenworth trucks are designed and manufactured in Australia to perform in some of the toughest and most demanding applications anywhere in the world. They are application-engineered to exacting standards, using the best in technology and componentry. On a whole-of-life cost basis, there are few trucks that come anywhere near a Kenworth in helping to produce a better bottom line for your business.

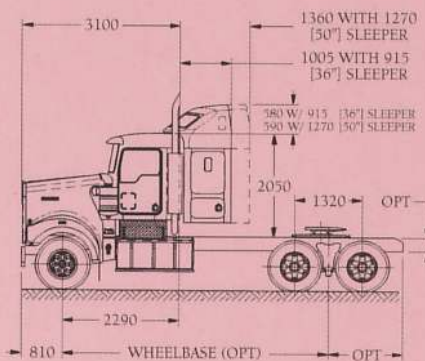


KENWORTH TRUCKS, BAYSWATER, VICTORIA.

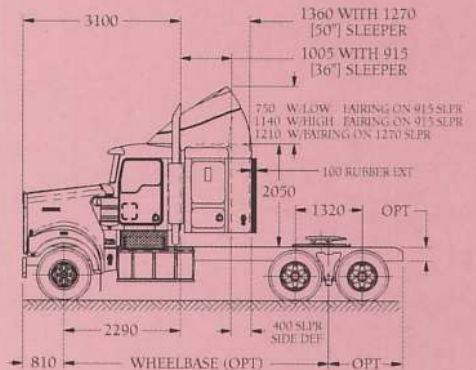
T950 WITH OR WITHOUT FLAT ROOF SLEEPERS



T950 WITH AERO II SLEEPERS



T950 WITH AERO ROOF PACKAGE



The Most Professional National Dealer Network

Every Kenworth truck is supported in the field by a comprehensive network of highly qualified dealers situated throughout Australia, New Zealand and Papua New Guinea. Each has a history of

excellence in the heavy duty truck industry. An on-line computerised parts system ensures that Kenworth dealers provide a parts service to owners that is second to none. What's more, each dealership has a complete Bill of Material microfiche for

every Kenworth truck built. So, when you want a part for your truck, there's

no guess work. The exact part is supplied first time, every time.

For complete specification details contact your local Kenworth dealer

IMPORTANT

The vehicles shown in this brochure are for illustrative purposes only, and may include some non-standard, optional equipment. All weights and measurements should be regarded as approximate only. For full details, please contact your Kenworth Dealer. In the interests of product improvement, Kenworth reserves the right to change these specifications without prior notice.

 **KENWORTH**

ACN 004 669 667

Quality System
Quality Endorsed Company

ISO 9001 LA 1198
Bayswater Australia

2000