

# T610 SAR. OUR BEST TRUCK YET.



AUSTRALIAN MADE. WORLD'S BEST.

# THIS IS WHERE THE NEW ERA BEGINS

Its on-road presence is bold. Its aerodynamics are advanced. The DNA is unmistakable—this new T610 is every inch a Kenworth. And with up to 600Hp at your disposal, it's ready for whatever task lies ahead.

Inside, the T610 introduces a revolutionary new dimension in driver comfort and ergonomics. More spacious, better equipped and manufactured to the most exacting quality standards in Kenworth's history, its new enhanced cabin delivers the ultimate driver experience.

There's been nothing left on the drawing board when it comes to safety. Available with state-of-the-art collision avoidance technology, it can monitor road and traffic conditions constantly to prevent, and protect you from potentially hazardous situations.

The new T610 is also one of the most aerodynamic and fuel efficient production trucks ever to carry the iconic Kenworth badge. It is powered by the Cummins X15 Euro V engine with Advanced Dynamic Efficient Powertrain (ADEPT) technology, a suite of electronic features that interact with Eaton automated manual transmissions, dynamically adapting to operating conditions to enhance fuel economy with no impact on productivity.

Versatility is another T610 hallmark. Offered in either a day cab or 860mm sleeper option, the T610 is suitable for virtually any application, and made to measure for line haul, including maximum payload 26-metre B-Double configurations. The T610SAR with its classic Kenworth styling is as tough as it is durable, and the set forward front axle makes it an ideal workhorse for 19-metre B-Double, and tipper and dog applications.



# THIS IS NEXT LEVEL SOPHISTICATION



## **Designed from the inside out, the new Kenworth cabin is centred completely around the needs of the driver.**

Significantly wider and with increased walkthrough space between seats, greater room head-to-toe for the driver, and more standing room in the sleeper cabs, the interior feels more open, more relaxed and is far easier to move around in. There's more storage—all of it positioned for maximum convenience.

Driver comfort is enhanced by an advanced heating and air-conditioning system with automatic climate control. More powerful yet more efficient, it maintains optimum cabin temperature at all times, in all driving conditions, all year round.

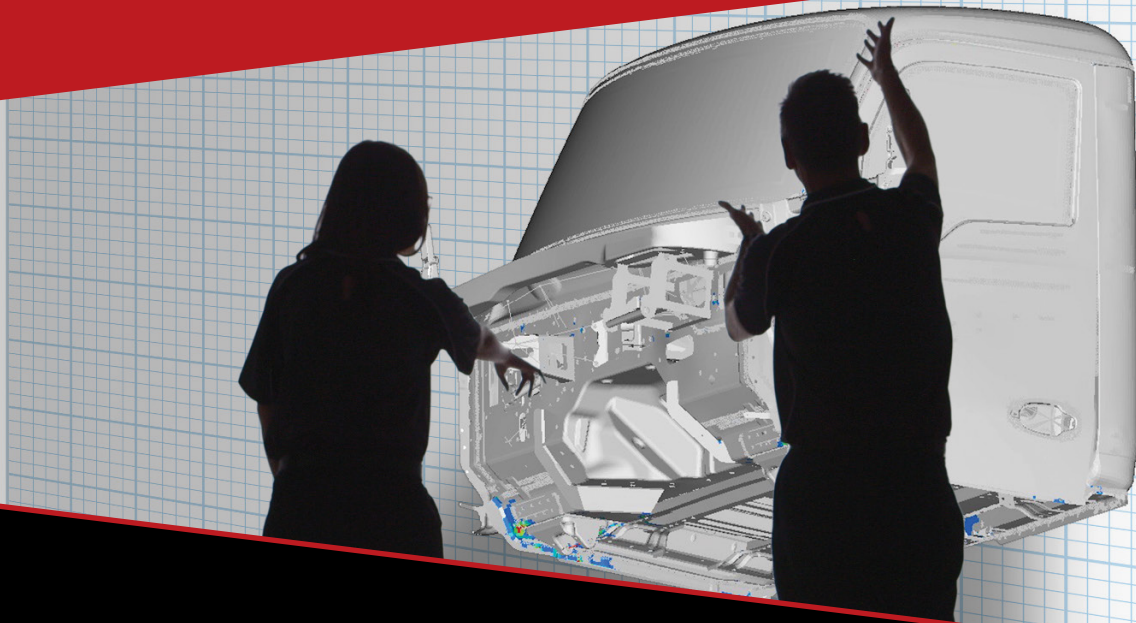
The T610 cabin boasts new triple sealed doors and door apertures—an innovation that minimises noise and dust leaks, and whose quality construction you'll feel and hear, each time the doors close.

Behind the wheel you immediately feel in command. The more expansive windscreen offers a panoramic view of the road, while the cabin's superior ergonomics mean switchgear and controls are positioned intuitively, and that dashboard instrumentation is visible at a glance.



**T610**

# THIS IS HOW HISTORY IS MADE



**For more than 40 years, Kenworth has worked to develop some of the most innovative, durable and productive trucks in the history of Australian road transport.**

Tasked with creating the ultimate driver experience, the T610 design team first enlarged the cabin envelope, then moved the entire cabin forward to achieve the optimal BBC lengths needed for maximum payloads in Australia.

The newly designed dashboard and stylish interior trim complete the picture, but as is often the case with Kenworth, what you can't see is just as important.

Like the enhanced cooling package to comfortably handle 600Hp output, or the simplified accessibility to key vehicle systems. The heavy duty firewall for ultimate reliability, or the advanced air flow design that reduces heat penetration to the cab.

You won't see the 100,000 Australian design hours invested in the T610, either. Or the more than 10,000,000 kilometres of testing and validation. But when you experience this new Kenworth in action—year in, year out—you'll certainly appreciate them.

Rest assured—whether you opt for the versatile T610, or the hard yards specialist T610SAR with its set forward front axle, and external air cleaners—you will be the owner of our best truck yet.

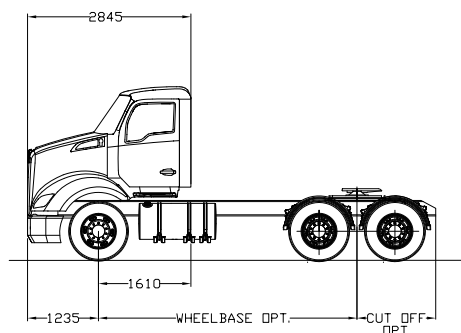


# THIS IS QUALITY AND FLEXIBILITY

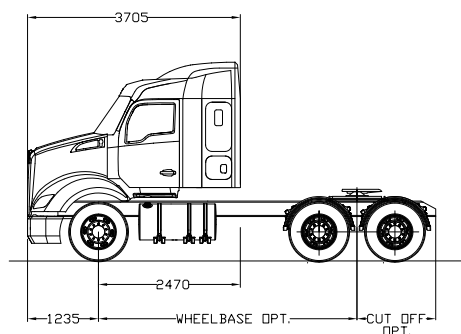
## MAIN SPECIFICATIONS AND OPTIONS

CONFIGURATION	T610	T610SAR
6X4	Standard	Standard
8X4	Optional	-
<b>ENGINE</b>	<b>T610</b>	<b>T610SAR</b>
X15 Euro V 485HP / 1650LBFT TORQUE	Standard	Standard
X15 Euro V 485HP - 600HP / 1850LBFT TORQUE	Optional	Optional
X15 Euro V 600HP / 2050LBFT TORQUE	Optional	Optional
<b>EXHAUST</b>	<b>T610</b>	<b>T610SAR</b>
EGP MOUNTED RIGHT HAND SIDE UNDER CAB	Standard	Standard
EGP MOUNTED IN CHASSIS	Optional	Optional
<b>UREA</b>	<b>T610</b>	<b>T610SAR</b>
100L 625MM DIA UREA TANK	Standard	Standard
170L 625MM DIA UREA TANK	Optional	Optional
300L 625MM DIA UREA TANK	Optional	Optional
160L RECTANGULAR UREA TANK	Optional	Optional
225L RECTANGULAR UREA TANK	Optional	Optional
<b>AIR CLEANER</b>	<b>T610</b>	<b>T610SAR</b>
DONALDSON 2540 AIR CLEANER MOUNTED UNDER HOOD	Standard	-
STAINLESS STEEL COWL MOUNTED	-	Standard
DUAL DONALDSON ERA COWL MOUNTED	-	Optional
<b>TRANSMISSION — MANUAL</b>	<b>T610</b>	<b>T610SAR</b>
EATON RTLO16918B	Standard	Standard
EATON RTLO18918B	Optional	Optional
EATON RTLO20918B	Optional	Optional
EATON RTLO22918B	Optional	Optional
<b>TRANSMISSION — AUTOMATED</b>	<b>T610</b>	<b>T610SAR</b>
ULTRASHIFT PLUS FO-16E318B-MXP	Optional	Optional
ULTRASHIFT PLUS FO-18E318B-MXP	Optional	Optional
ULTRASHIFT PLUS FO-20E318B-MXP	Optional	Optional
ULTRASHIFT PLUS FO-22E318B-MXP	Optional	Optional
<b>FRONT AXLE</b>	<b>T610</b>	<b>T610SAR</b>
DANA E-14621	Standard	Standard
DANA 2000	Optional	Optional
MERITOR MFS66-122	Optional	Optional
MERITOR MFS73	Optional	Optional
MERITOR DUAL MFS66-122	Optional	-
<b>REAR AXLE</b>	<b>T610</b>	<b>T610SAR</b>
DANA DSH40P	Standard	Standard
DANA D46-170	Optional	Optional
DANA D50-170	Optional	Optional
DANA D52-190	Optional	-
MERITOR RT40-145	Optional	Optional
MERITOR RT46-160	Optional	Optional
MERITOR RT50-160	Optional	Optional
MERITOR RT52-185	Optional	-
<b>REAR SUSPENSION</b>	<b>T610</b>	<b>T610SAR</b>
KENWORTH AIRGLIDE 400	Standard	Standard
KENWORTH AIRGLIDE 460	Optional	Optional
KENWORTH KW6-60A	Optional	Optional
NEWAY AD246/10	Optional	Optional
<b>SAFETY SYSTEMS</b>	<b>T610</b>	<b>T610SAR</b>
EBSS	Standard	Standard
- ANTILOCK BRAKING SYSTEM	Standard	Standard
- AUTOMATIC TRACTION CONTROL	Standard	Standard
- DRAG TORQUE CONTROL	Standard	Standard
ESP - ELECTRONIC STABILITY PROGRAM	Optional	Optional
TRM - TRAILER RESPONSE MANAGEMENT	Optional	Optional
ACB - ACTIVE CRUISE BRAKING WITH COLLISION MITIGATION	Optional	Optional
LANE DEPARTURE WARNING	Optional	Optional
<b>BRAKES</b>	<b>T610</b>	<b>T610SAR</b>
DRUM	Standard	Standard
DISC	Optional	Optional
<b>WHEELS</b>	<b>T610</b>	<b>T610SAR</b>
STEEL DISC 10 STUD	Standard	Standard
ALCOA 10 STUD	Optional	Optional
DEMOUNTABLE	Optional	Optional
<b>SLEEPER</b>	<b>T610</b>	<b>T610SAR</b>
860mm AERO FLAT BACK	Optional	Optional
<b>FUEL TANKS</b>	<b>T610</b>	<b>T610SAR</b>
RANGE OF PACKAGES AVAILABLE		

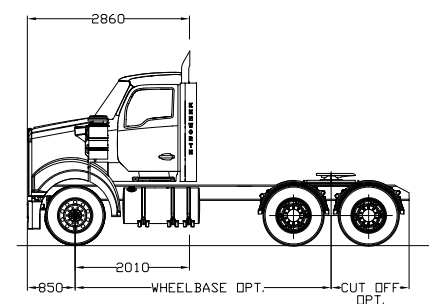
**T610 DAY CAB**



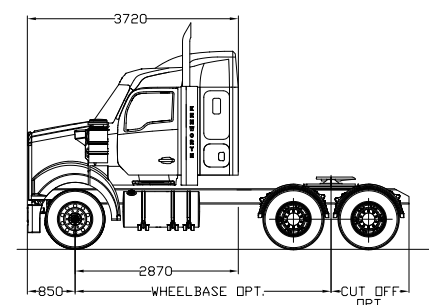
**T610 860MM SLEEPER**



**T610SAR DAY CAB**



**T610SAR 860MM SLEEPER**



# THIS IS TOTAL SUPPORT

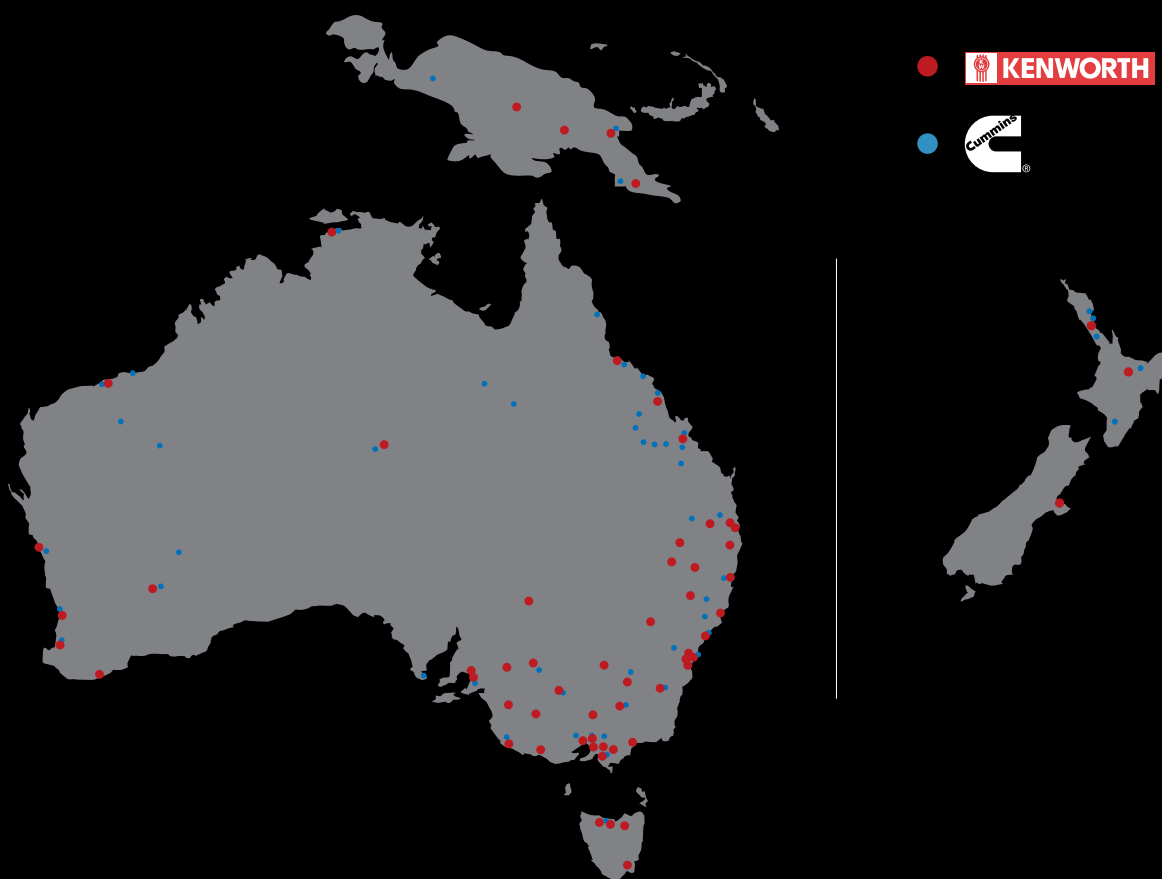
With our network of independently owned dealerships behind them all the way, Kenworth customers in Australia, New Zealand and Papua New Guinea can have absolute confidence for the journey.

Comprising more than 50 regional and metropolitan locations, our long-established Australian network spans the country, providing a seamless ownership experience.

Customers can purchase their Kenworth, arrange finance through PACCAR Financial, and access servicing and parts, all from the one dealership. Or for a fully tailored leasing or rental solution, speak with PACLease.

PACCAR Assist—our dedicated 24/7 roadside assistance service—also provides Australia-wide coverage. One call to PACCAR Assist is all it takes to summon help from your nearest dealership.

For more information, contact your local Kenworth Dealer or visit [www.kenworth.com.au](http://www.kenworth.com.au)



**1800 4 PACCAR**  
(1800 472 222)



ROADSIDE ASSISTANCE

PACCAR Australia Pty Ltd,  
64 Canterbury Road, Bayswater,  
Victoria 3153

Telephone (03) 9721 1500  
Facsimile (03) 9720 4144

**IMPORTANT:** The vehicles shown in this brochure are for illustrative purposes only and may include some non-standard optional equipment. All weights and measurements should be regarded as approximate only. For full details contact your Kenworth Dealer. In the interests of product improvement, Kenworth reserves the right to change these specifications without prior notice.

Find us at:



AUSTRALIAN MADE. WORLD'S BEST.

Version 00001116