

T358 Series



 **KENWORTH**

**AUSTRALIAN MADE.
WORLD'S BEST.**



Legendary Kenworth cab appointments featuring luxurious colour co-ordinated trim and aircraft style instrumentation.

Choice of Caterpillar or Cummins engines up to 350hp to meet 2008 engine emission standards.

Short sloping bonnet creating superior all round visibility.

Durable grille and exterior fittings.

Steel long-life radiators.

Cooling packages specifically designed to meet Australia's toughest conditions.

KW Airglide suspension.

Where difficult access is the norm, and traffic and time pressures are never far away, the T358 Series excels as it moves in and out of tight spaces all day, every day. The tight turning circle and short bumper-to-back-of-cab measurement makes the T358 a very versatile and agile performer.

Developed for single trailer, metro distribution, short haul and agitator applications, the T358 Series offers the same reliability and durability for which Kenworths are renowned. Driving around town the T358 Series will give you a level of visibility and manoeuvrability rare in a bonneted truck.

The widest range of specialist heavy duty rear axles.

Custom engineered fuel tanks available in round configuration.

Access is important. Long perforated steps allow plenty of choice on where to put your feet and the perforations allow mud to be scraped off and drop through.

Remote keyless entry.

Water proof harness and plugs, routed in conduit and heat shielding.

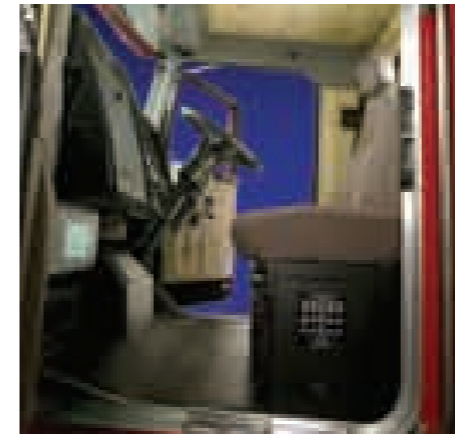
Xenon headlights.

Vehicle is shown with optional accessories. Images are shown for illustrative purposes only.



Designed and engineered
for a wide range of applications

Specialist



Powerful low emission performance

From 1 January 2008, all trucks manufactured for Australia have to meet the new ADR83/00 standards for noise emissions and ADR80/02 standards for exhaust NOx and particulate emissions.

Kenworth has responded to these challenges with tens of thousands of local engineering hours and in excess of two million test kilometres. We have met these new emission standards whilst still satisfying customer demand for continual improvements in power, fuel economy and productivity.

At home in the city

The ease of access and safety around town of the bonneted T358 Series puts it in a class of its own.

Drivers in this heavy traffic environment are required to get into and out of the cab so often on their daily route, cab access must be exceptionally simple and safe.

The aluminium and fibreglass cab, which is designed to be big on strength and low on unnecessary weight, is built around a corrosion-resistant frame and offers the professional driver all-round comfort with easy access via two tank-mounted aluminium steps.

Vital functions fall readily to hand without the need for excessive movement or distraction.

Interior trim is mounted over polyester acoustic insulation that minimises noise and heat, adding to driver comfort.

Exceptional Visibility

The T358 Series provides exceptional vision for the driver.

The curved one-piece windscreen coupled with the steeply sloped hood provides excellent forward vision.

Daylite doors, which are standard on all T358 Series models, provide excellent sideways vision, which is of particular importance in tight manoeuvring situations.

Large heated mirrors and spotter mirrors assist the driver to clearly see what is happening behind the truck.

All these factors combine to make it easier to get the job done, particularly when operating in heavy city traffic or tight construction sites.

There is a choice of fuel efficient Cummins and Caterpillar engines available with up to 350hp and 1100lb/t of torque.





Set your own specifications by choosing from the many options and features the T358 has to offer.

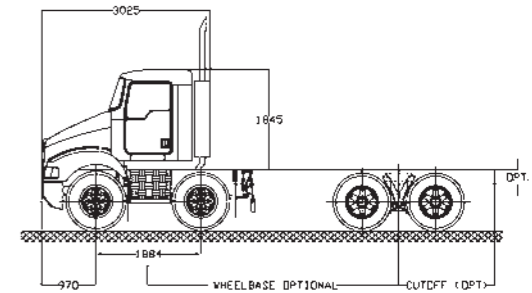
Available in single or tandem drive, the T358 comes with the acclaimed Airglide alloy pedestal rear suspension and a choice of Dana or Meritor rear axles.

The T358 offers a range of Fuller transmissions, from 10 to 18 speed, including Autoshift.

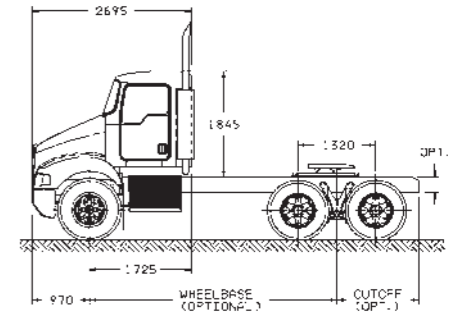
Your workshop will love the ease of servicing the T358 and the design simplicity and lower costs of a Kenworth chassis and driveline.

Specifically designed and application engineered in Australia for short haul and urban operations hauling up to 46 tonnes*, the T358 is the latest addition to the range of heavy duty trucks from market leader Kenworth.

T358 (8 x 4)



T358 (6 x 4)



T358 Versatility



The concrete distribution industry demands a unique breed of vehicle. It's got to be able to handle maximum payloads in tough conditions, while working in heavy traffic and on congested construction sites.

A derivative of the T358, the T358A is tailor made for the agitator market, available in 6x4, 8x4 and 10x4 variants. With its short BBC the T358A has all the positive attributes of a Cab Over Engine design – manoeuvrability, visibility and minimal overall length, together with the benefits of a Conventional – driver safety, OH&S advantages including ease of egress/ingress, serviceability, and a walk through cab design.

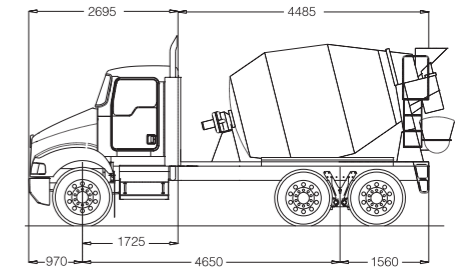
The T358A is perfect for high volume urban concrete operations, where the need is for a highly durable but low tare weight truck able to cart the maximum amount of cubic metres of concrete over a long life span.

T358A Agility

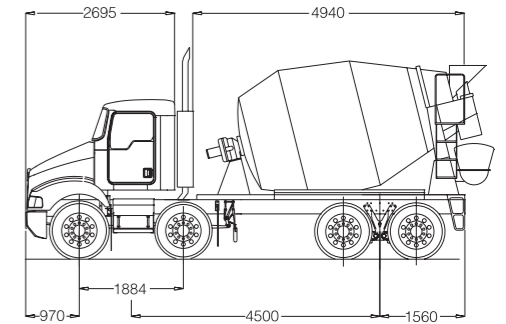


T358A

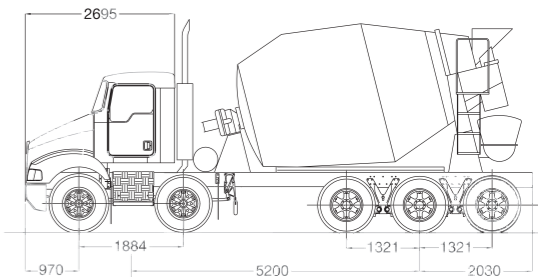
T358 Agitator 6x4	Standard	Optional
Engine	Cummins ISC 260	Cummins ISC 285 and 315 Repto PTO, Extarder and Caterpillar C9
Transmission	Allison MD3500P Chelsea PTO	RTLO 12913A MD 3200P RTO11909ALL
Rear Axle	DSH40 6.17 Ratio	DS/RDH40 DD/RDH40 Ratios to Suit
Rear Suspension	Airglide 400	HN402
Base Features	Lightweight spec plus 150L fuel tank, rev alarm, hour meter, A/C, 285 PCD alloys, radio/CD, peeper window and mirror, park brake alarm, 'Ready for barrel'	Revolving light Cabmate air suspension Adjustable steering column 180L Fuel Tank 260L Fuel Tank
Tare Weight	6220 kgs*	



T358 Agitator 8x4	Standard	Optional
Engine	Cummins ISC 260	Cummins ISC 315 Repto PTO, Extarder and Caterpillar C9
Transmission	Allison MD3500P Chelsea PTO	RTLO 12913A MD 3200P RTO11909ALL
Rear Axle	DSH40 6.17 Ratio	DS/RDH40 DD/RDH40 Ratios to suit
Rear Suspension	Airglide 400	HN402
Base Features	Lightweight fuel tank, rev alarm, hour meter, A/C, 285 PCD alloys, radio/CD, peeper window and mirror, park brake alarm, 'Ready for barrel'	Revolving light Cabmate air suspension 180L Fuel Tank 260L Fuel Tank Adjustable steering column
Tare Weight	7550 kgs*	



T358 Agitator 10x4	Standard	Optional
Engine	Cummins ISC 260	Cummins ISC 285 and 315 Repto PTO, Extarder and Caterpillar C9
Transmission	Allison MD3500P Chelsea PTO	RTLO 12913A MD 3200P RTO11909ALL
Rear Axle	DSH40 6.17 Ratio R22BS	DS/RDH40 DD/RDH40 Ratios to Suit
Rear Suspension	Airglide 600	HN402
Base Features	Lightweight fuel tank, rev alarm, hour meter, A/C, 285 PCD alloys, radio/CD, peeper window and mirror, park brake alarm, 'Ready for barrel'	Revolving light Cabmate air suspension Adjustable steering column 180L Fuel Tank 260L Fuel Tank
Tare Weight	8360 kgs*	



*Estimated weight; includes full fuel, cab and chassis only, ±2%

Tare Weight