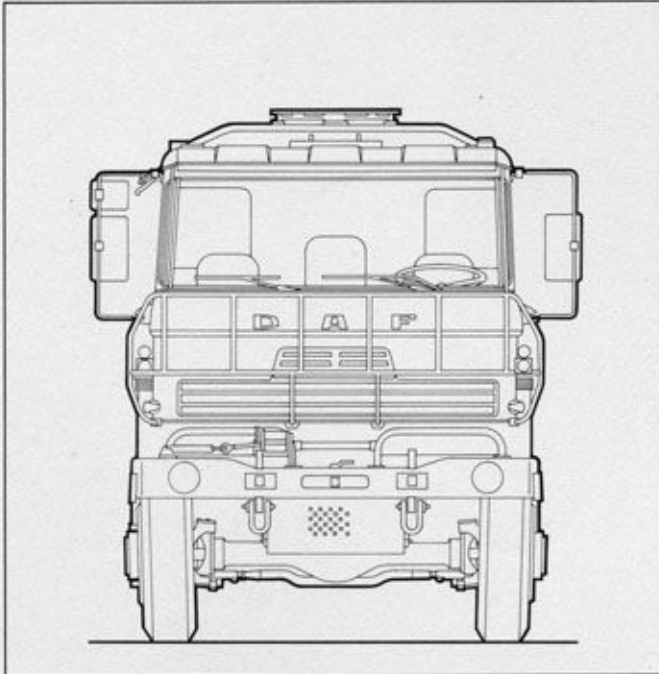
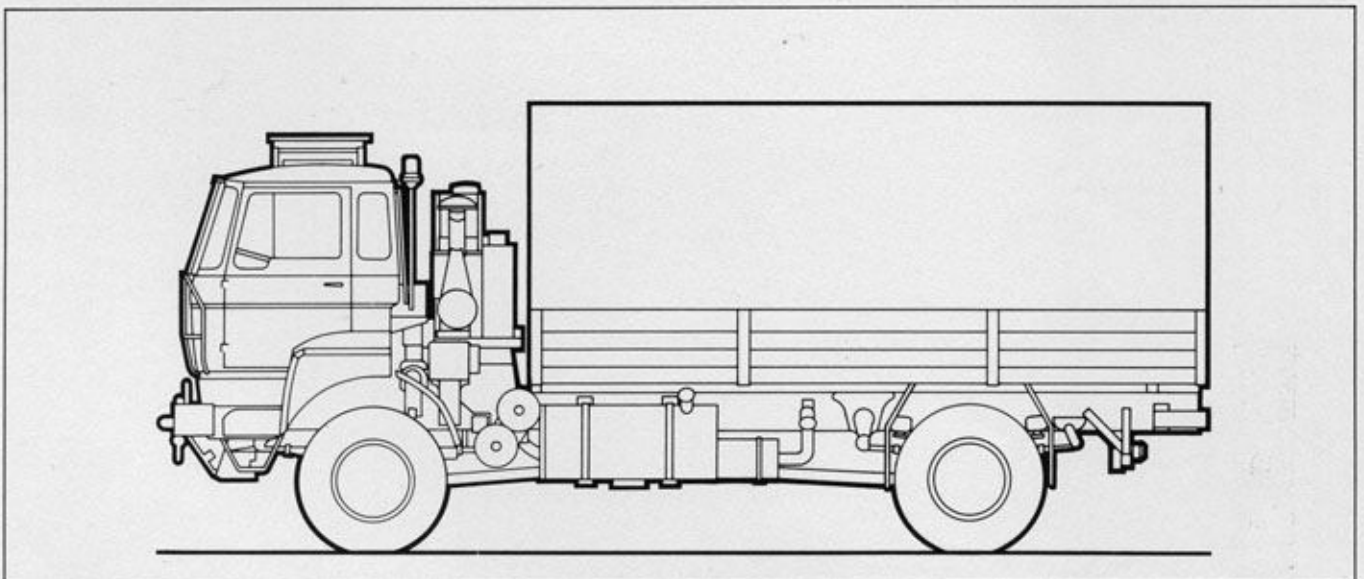


Technical specification



DAF YAV 2300 DHTD 450 (4 x 4) tactical military truck with 5-7 tonnes cross country payload and general cargo body



**DAF International Military
Co-ordination
Hugo van der Goeslaan 1
5643 TW Eindhoven
Tel.: 040-142872
Telefax 040-115456
Telex 51980 DAF BP NL**

The specifications contained herein were in effect at the time this pamphlet was approved for release. They are subject to modification without prior notice.

DAF YAV 2300 DHTD 450 (4 x 4)
tactical military truck with 5-7 tonnes
cross country payload and general cargo body

Dimensions

Length, overall _____ 7.82 m
 Width, overall _____ 2.46 m
 Height, overall _____ 3.10 m (cab)
 Length, body inside _____ 5.00 m
 Width, body inside _____ 2.35 m
 Height, sideboards _____ 0.51 m
 Height, cargo floors _____ 1.40 m
 Wheelbase _____ 4.50 m
 Track - front axle _____ 1.98 m
 Track - rear axle _____ 1.82 m dual tyres
 Overhang front/rear _____ 1.50/1.82 m

Weights

Kerb weight _____ 10.200 kg incl. body
 Payload (cross country) _____ 5.300 kg cross country
 Gross vehicle weight permissible _____ 15.500 kg
 Front axle permissible _____ 6.500 kg
 Rear axle permissible _____ 9.000 kg
 Gross combination weight _____ 35.000 kg

Performance

Angle of approach laden _____ 30°
 Angle of departure _____ 30°
 Belly clearance _____ 0.46 m
 Ground clearance _____ 0.32 m
 Forging depth _____ 0.90 m
 Gradient solo _____ 50%
 Side angle _____ 30%
 Speed continuous _____ 88 km
 Range (fuel tank 300 Ltr) _____ 1.000 km at a
 continuous speed of 66 km/h

Engine

Make _____ DAF DHTD 825
 Type _____ 4-stroke diesel, 6-in-line, direct
 injection, turbo charged
 Displacement _____ 8.25 Litres
 Compression ratio _____ 15:1
 Output _____ 213 hp ISO/2400 rpm
 Torque _____ 704 Nm/1600 rpm

Torque converter _____ ZF WSK 400/25 ratio 2.3

Gearbox

Type _____ ZF 56 111 GPA, 8-speed forward
 and 1-speed reverse
 Ratio _____ 8.66-1.02:1 Reverse 12.03:1

Dropbox

Type _____ ZF A 600/30 incl. independent
 frontwheel engagement.
 Dropbox is an integral part of the gearbox. Gearbox ratio
 specified above, includes the dropbox ratio.

Front axle

Make _____ Kirkstall
 Type _____ DS 65, rating 7500 kg
 Ratio final incl. hubreduction _____ 5.48:1
 Brake area p/wheel _____ 1290 sq.cm.

Rear axle

Make _____ DAF 2699 with lockable diff.,
 rating 13.000 kg
 Ratio final incl. hubreduction _____ 5.48:1
 Brake area p/wheel _____ 1680 sq.m.

Suspension

Make _____ DAF
 Type _____ Semi-elliptic
 Specific deflection
 front _____ 1.28 mm/kN
 rear _____ 0.77 mm/kN
 Shock absorbers
 front + rear _____ Double acting, telescopic

Wheels and tyres

DAF wheels _____ 9 x 22.5
 Tyres _____ 13 R22.5K double rear types
 Profile _____ Mixed on/off road
 Option _____ Wheels 10.00 x 20
 Tyres _____ 14.75/80R20 tubeless. Profile: off the road.

Frame

DAF ladder type platform (partly bolted and partly riveted)
 comprising of two U type longitudinal members and
 U type and Omega type crossmembers, the longitudinal
 members are reinforced over the full length.

Steering

Make _____ ZF
 Type _____ 8046 hydr. power assisted
 Turning circle _____ Min. 18 m

Brake system

Type _____ DAF air mechanic, 2 line, dual circuit
 Operating pressure _____ 600-800 kP (6-8 bar)
 Parking brake _____ Spring brake cylinders on rear axle
 Standard _____ Exhaust brake
 Connection _____ Brake connections at rear and
 front end of chassis

Electrical system

System _____ Splashproof and radio suppressed
 Voltage _____ 24V
 Alternator _____ 28V/55A
 Battery _____ 2 x 125Ah
 Start motor _____ 6.8 hp/5 kW
 Connector _____ 7 + 12 pole trailer connector,
 slave connector, trouble light connector at rear and front
 Lighting _____ Standard commercial traffic lighting
 and blackout lighting according NATO requirements
 Controls _____ Instrument panel is provided with:
 revolution counter, speedometer, a combined unit
 comprising a temperature gauge, a fuel gauge,
 an air pressure gauge, an oil pressure gauge and
 warning lights for main dipped beam, direction indicators,
 air inlet vacuum sensor, parking brake, oil temperature
 torque converter, diff.-locks

Towing facilities

Front _____ NATO push pull pin.
 Bumper is provided with 4 towing and 2 lifting eyes
 Rear _____ Ringfeder type RU k 4D, 24 tons acc.
 to NATO standard, on towing bar, 90 cm above ground
Cab _____ DAF F 218 short cab with reinforced
 cab roof with manhole and cover.
 Driver + co-driver seat and auxiliary third seat in middle.
 Mounting holes for machine gun mounting.

Miscellaneous

- 300 Ltr fuel tank (refuelable with jerrycans)
- spade shovel and axle in separate rack
- tyre inflating hose: 10 mtr.
- Production of chassis cabine meets the NATO Quality Control System Requirements for Industry AQAP 1 (Stanag 4108).

Body

Cargo box on subframe mounted on chassis, option:
 torsion free mounting

- floor: steel 4 mm
- doors: hinged doors 2 at each side, one at the rear
- step mounted at the rear
- benches 3 at each side
- sparewheel between cabin and cargo box
- mudguards over rear wheels

Production of body meets the NATO Quality Control System Requirements for Industry AQAP 4 (Stanag 4108).