

MINETRUCK MT65

Underground truck with 65-tonne load capacity



Atlas Copco



MINETRUCK MT65

EFFICIENT UNDERGROUND HAULAGE

ENGINEERED WITH SAFETY, PRODUCTIVITY AND OPERATOR COMFORT IN MIND FOR HAULAGE IN LARGER UNDERGROUND MINING AND CONSTRUCTION OPERATIONS.

+ MAIN BENEFITS

Highest safety level: The MT65 offers many safety features to secure your underground operation such as FOPS/ROPS approved operator's cabin, SAHR brakes, automatic brake test and a beacon to show machine health condition.

Ready for automation: Atlas Copco's Rig Control System (RCS) enables you to control your operation and add different automation solutions. With our telematics solution Certiq, machine data can be utilized to optimize production and maintenance.

Reliability and productivity combined with efficiency: MT65 is based on years of knowledge from the successful MT6020 delivered world wide. The built in reliability combined with higher capacity and high ramp speed leads to dramatically increased productivity. To improve energy efficiency we have reduced fuel consumption and decreased running cost.

Servicability: Minetruck MT65 provides efficient service management with an adapted design in order to increase your uptime.

Right hand side camera

Grill doors open wide and offers great possibilities to clean



Easy to reach: Cabin electrics, air filter, jump start connector, batteries



The cabin offers excellent comfort to the operator with low sound level, great steering sensation, air conditioning system and front axle suspension system.



The dump box has 65 tonne haulage capacity and is engineered for high productivity and reliable performance. The load weighing system presents information of the filling process to the operator and to the outside via status beacon light.



Best serviceability in the segment with easily accessible service points and features to ease operation. The main filters are collected and accessible in the smart service bay.

First class cabin with superior comfort and integrated trainer seat. Beacon Status light on front and rear of cabin to show machine health condition.

Certiq, telematic solution*

Integrated load weighing system*



Tiltable cabin for easy service

Front axle suspension

SAHR brakes at all wheel ends

* = optional equipment

FEATURES

Safety

- ISO ROPS/FOPS certified cabin
- Spring Applied, Hydraulically Released brakes (SAHR)
- Automatic brake-test with logging
- 3 point contact for entry and exit to cabin
- Rear- and right hand side camera for increased visibility
- Box up stand, articulation lock and cabin tilt stand
- Brake applies after 3 seconds in neutral mode, or if the door opens at low speeds
- Guard rails can be fitted to the top of the machine
- Beacon status light showing the status of the machine

Comfort

- Front axle suspension system for superior operator comfort
- Ergonomically designed cabin for minimized operator fatigue
- Sound level in cab below 80 dB(A)
- Forward directed, air suspended seat with 3-point seat belt
- Automatic climate control unit
- Tilt-telescopic steering wheel
- Trainers seat with 2 point seat belt

Productivity

- 65-tonne capacity and high speed in ramp
- Load weighing system – maximize filling and reduce overload
- Utilize Atlas Copco telematics solution Certiq and enable optimization of production, maintenance and fleet
- Hydraulic operated fan and load sensing pumps for increased energy efficiency
- Smooth and precise shifting with automatic lock up and built in retarder
- Smart functions on board can be activated to protect components and systems

Serviceability

- Hoods and hatches open wide for easy reach
- Gauges onboard to effectively check pressures
- Tilttable cabin for easy access to engine compartment
- Filter monitoring on a majority of filters
- Onboard diagnostics continuously feeding the operator with key data and machine status, vital diagnostics are logged
- Automatic central lubrication with low level warning



SPECIFICATIONS

Capacities	
Tramming capacity	65 000 kg
Motion times	
Dumping	13 sec
*Weights (Standard equipped vehicle empty weight)	
Approximate weight	46 300 kg
Axle load, front end	33 600 kg
Axle load, rear end	12 700 kg

*Weights are approximate and given with filled fluids and standard configured vehicle (e.g. standard equipment, 2.2 t/m³ dump box etc.)

ENGINE

Brand/model:	Cummins QSK19 EPA Tier 2
Power rating	567 kW / 760 hp @ 2 100 rpm
Maximum torque	2 981 @ 1 500 rpm
MSHA Part 7 ventilation rate*	1 359 m ³ /min
MSHA Part 7 particulate index**	467 m ³ /min

Dry type air cleaner, catalytic exhaust purifier and silencer, exhaust heat protection, remote engine oil and cooling fluid drain, cooling package with tube type radiator.

*MSHA = Mine Safety and Health Administration, USA. Ventilation rate = quantity of additional ventilation air required to dilute raw exhaust emission to a respective level per engine.

**Particulate Index = Particulate Index = Calculated air flow for minimum diesel particulate matter (DPM) dilution to a safe level per engine.

FUEL

Fuel tank capacity: 844 litres	●
Fuel filtration, primary, including water trap: 7µm	●
Fuel filtration, Secondary: 3 µm	●
Diesel filter with heater element	○

AXELS

Brand/model: Kessler D111	●
Differentials: Front, Open	●
Differentials: Rear, Open	●

BRAKES

Fully enclosed, force-cooled, multiple wet discs at each wheel end	●
Service/parking/emergency brakes: SAHR	●
Brake apply after 3 sec in neutral	●
Electric brake release pump	●
Retarder, hydraulic retarder, with separate pedal	●
Separate brake cooling tank, capacity: 85 litres	●

ELECTRICAL SYSTEM

System voltage: Start & accessories 24 V	●
Mine duty high output alternator: 140 Amps	●
Isolation switch lockout	●
Main switch isolator	●
Engine starter isolator	○
24/12V converter	●
Driving lights LED: 9 x 40W, 2 x 80W	●
Tail and brake lights	●
Load lights, mounted on back of cabin/canopy	●
Side light - opposite operator	●
Front & rear Turn signals	●
Front & rear position lights	●
Detachable service light (Required for CE Approval Vehicles)	○
Machine status indicator light mounted on canopy	●
Battery jump start receptacle	○
Amber strobe light - Power on	○

TYRES

Tubeless tyres design for underground mine service*	●
Tyre size front and rear: 35/65 x 33 (treaded)	●

*As applications and conditions vary, Atlas Copco recommends that the user consults with tyre suppliers to obtain the optimum tyre selection

OPERATOR'S COMPARTMENT

Forward seated cabin with steering wheel (ISO ROPS/FOPS)	●
Automatic climate control, pressurized with filtered air	●
Trainer seat with seat belt	●
Door open brake apply (at low speeds)	●
Open door retainer	●
Air suspended seat with 3-point retractable seat belt	●
Air seat suspended seat with 4-point retractable seat belt	○
Emergency exit (and rescue mission)	●
Seat cover	○
Window wipers on front and window facing towards engine	●
Sliding window on door	●
Media player	○
Horn	●
Tilt/telescopic steering wheel	●
Sun visor	○
Heated rear view mirrors	●
External sound level according to ISO 6395 LwA 117 dB(A)	
Sound level in cabin according to ISO 6396 LpA 80 dB(A)	
Whole body vibration value according to EN 14253 A(8)w maximum 0.65 +/- 0.2m/s ²	

HYDRAULIC SYSTEM

Heavy duty load sensing piston pumps	●
System pressure: 23 MPa	●
Hydraulic tank capacity: 292 liters	●
Filtration, return line: 12 µm	●
Electric pump for hydraulic tank fill, 24 V	●

TRANSMISSION

Planetary, automatic 6 speeds forward/2 speeds reverse with integral single stage converter with automatic lock up	●
Brand/model: Allison 6625	●
Upbox, power transmitted through a gear box	●
Dropbox, power transmitted through a gear box	●

PARTS AND SERVICES

Preventive maintenance kits	○
Repair and rebuild kits	○
Upgrade kits	○
Service agreements	○
Reman components	○
Telematics (Certiq)	○
RigScan audits	○

CONTROL SYSTEM

Operator display with intuitive interface	●
Logging of production data, number of dump boxes, fuel consumption and distance, engine and transmission diagnostics etc.	●
Automatic brake test function with logging	●
Save machine logged data on USB memory stick	●
Load camera and load lights	○
Right hand side camera	●
Rear camera and monitor	●
Audio-visual reverse alarm	●
Highest allowed gears	○
Steering soft stop	●
Filter supervision	●
Inclination gear lockout	●
Machine protection system (engine, transmission, hydraulic, lubrication)	◐
Overspeed protection system	◐
Machine warm up	◐
Gear lockout with tray up	●
Configurable setting at dump box up	◐
Upbox/dropbox oil contamination supervision	●
Operational ID; manage operator, material, haulage points, delay codes etc.	◐
Turbo timer	◐
Certiq telematics solution professional version*	○

*Certain country restriction may exist

POWER UNIT

Engine oil pre lube	●
Arctic oil	○
Cold weather package 120V or 240V: Block heater, battery charger, fuel heater, hydraulic oil heater, transmission oil heater, arctic oil	○
Corrosion Resistant Radiator	○

**ATLAS COPCO SERVICE.
IT'S NOT JUST ABOUT
PROMISES, IT'S ABOUT
DELIVERY.**

We offer several levels of service agreements to meet the requirements of your operation and safeguard your productivity. Our service agreements help you build a quality operation focused on proactive, planned maintenance to minimize unplanned downtime. We support maintenance with detailed parts information on every item in our full inventory of components, accessories, and tools.



SYSTEM	
Ansul manually activated fire suppression system with engine shut down	○
Ansul Checkfire automatically activated fire suppression system	○
Hand held fire extinguishes	○
3 x Emergency stop buttons with fuel shut off valve	●
Emergency steering	○
Front-axle oscillating suspension solution with hydraulic suspension cylinders and accumulator cushioning. Maximum travel, 140 mm	●
Load weighing	○
Tire monitoring system	○
Wiggins fast fuel fill	○
Wiggins Fast Fill for engine oil, transmission, hydraulic and radiator	○

MAIN FRAME	
Lock or support stand on articulation, raised dump box and tilted cabin	●
Optional box sizes	○
Wheel chocks and brackets	○
Central manual lubrication system	●
Central automatic lubrication system (with low level warning)	○
Guard rails	○
Lifting lugs	●
Towing points	●
Removable belly guards	●

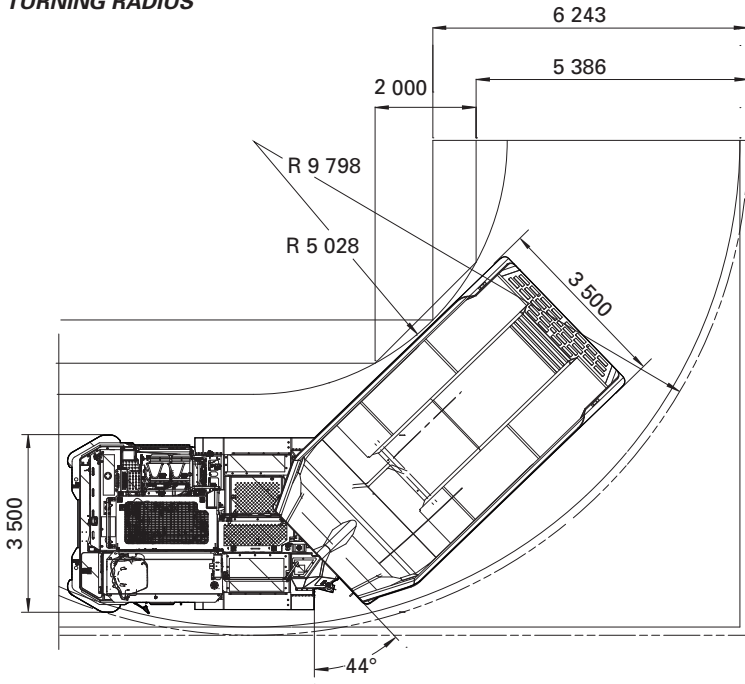
GRADE PERFORMANCE*												
Standard configuration, box empty												
%	Grade	0.0	2.0	4.0	6.0	8.0	10.0	12.0	14.0	16.0	18.0	20.0
Ratio	Grade	-	-	-	-	1:12	1:10	1:8	1:7	-	-	1:5
km/h	1st gear	6.2	6.2	6.2	6.1	6.1	6.1	6.1	6.1	6.1	6.1	6.1
	2nd gear	9.2	9.2	9.2	9.1	9.1	9.1	9.0	9.0	9.0	9.0	8.9
	3rd gear	12.2	12.2	12.1	12.1	12.0	12.0	11.9	11.9	11.8	11.8	11.7
	4th gear	18.2	18.1	18.0	17.9	17.7	17.6	17.5	17.4	17.0	15.7	13.5
	5th gear	24.5	24.3	24.1	23.9	23.7	23.5	21.8	18.3	-	-	-
	6th gear	36.3	35.9	35.4	35.0	30.0	-	-	-	-	-	-
Standard configuration, box loaded												
%	Grade	0.0	2.0	4.0	6.0	8.0	10.0	12.0	14.0	16.0	18.0	20.0
Ratio	Grade	-	-	-	-	1:12	1:10	1:8	1:7	-	-	1:5
km/h	1st gear	6.2	6.1	6.1	6.1	6.0	6.0	6.0	5.9	5.9	5.9	5.9
	2nd gear	9.2	9.1	9.0	9.0	8.9	8.8	8.8	8.2	7.3	-	-
	3rd gear	12.1	12.0	11.9	11.8	11.7	10.8	-	-	-	-	-
	4th gear	18.0	17.7	17.4	15.6	-	-	-	-	-	-	-
	5th gear	24.1	23.6	20.2	-	-	-	-	-	-	-	-
	6th gear	35.4	34.3	-	-	-	-	-	-	-	-	-

*These are theoretical calculations and should be seen as a reference only. 3% rolling resistance assumed. Actual performance may vary depending on the application. Continuous operation is recommended on maximum 1:7 grade.



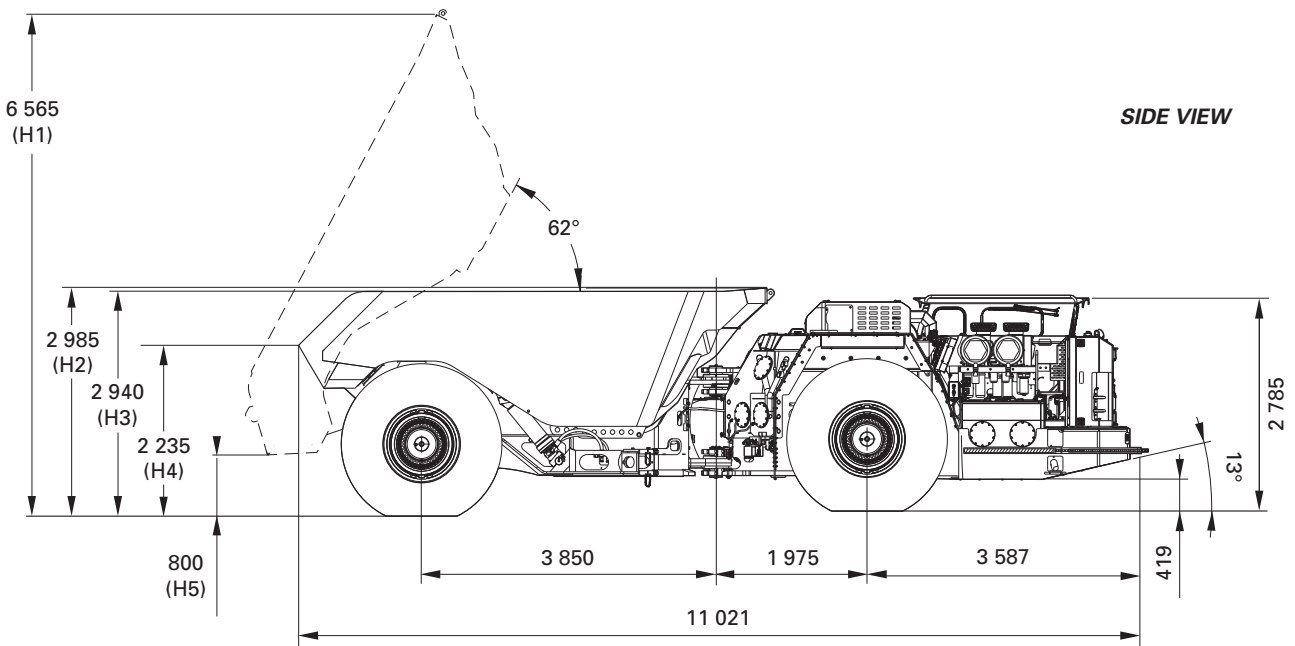
MEASUREMENTS AND WEIGHTS

TURNING RADIUS



Dimensions

- Dimensions are shown in millimetres
- Dimensions shown are based on standard vehicle configuration (dump box for 2.2 t/m³ material, heaped volume definition) with 32 mm tire deflection, unloaded



DUMP BOXES

				STD	
Volume, SAE heaped (m ³)	40.6	36.1	32.7	29.6	28.7
Maximum material density (t/m ³)	1.6	1.8	2.0	2.2	2.4
Dump position: box height, max (mm) H1	7 040	7 040	6 660	6 660	6 575
Dump box spillguard (mm) H2	3 470	3 470	3 190	2 985	3 010
Dump box height (mm) H3	3 470	3 160	3 140	2 940	2 790
Height rear end (mm) H4	2 290	2 290	2 230	2 230	2 230
Discharge height (mm) H5	470	470	800	800	800

9851_3580_01_2016-08 Orebro, Sweden, Legal Notice © Copyright 2014, Atlas Copco Rock Drills AB, Orebro, Sweden. Any unauthorized use or copying of the contents of any part thereof is prohibited. Illustrations and photos may show equipment with optional extras. No warranty is made regarding specifications or otherwise. Specifications and equipment are subject to change without notice. Consult your Atlas Copco Customer Center for specific information.

COMMITTED TO SUSTAINABLE PRODUCTIVITY

We stand by our responsibilities towards our customers,
towards the environment and the people around us.
We make performance stand the test of time.
This is what we call – Sustainable Productivity.

www.atlascopco.com

