



Technical  
Concept

Mercedes-Benz  
Medium Vans

3.49 – 7.49 tonnes  
58 – 100 kW  
(79 – 136 bhp)

92



**AUTOLIT**



Automobile – Truck – Motorcycle 1900 to Present  
ORIGINAL Sales Brochures, Manuals, Books, Posters,  
Catalogs, and MUCH More. World's largest selection!



**AUTOLIT**



Automobile - Truck - Motorcycle 1900 to Present  
ORIGINAL Sales Brochures, Manuals, Books, Posters,  
Catalogs, and MUCH More. World's largest selection!



**AUTOLIT**

Automobile - Truck - Motorcycle 1900 to Present  
ORIGINAL Sales Brochures, Manuals, Books, Posters,  
Catalogs, and MUCH More. World's largest selection!



## The right vehicle for every job.

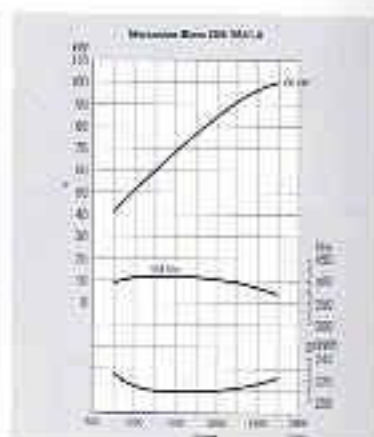
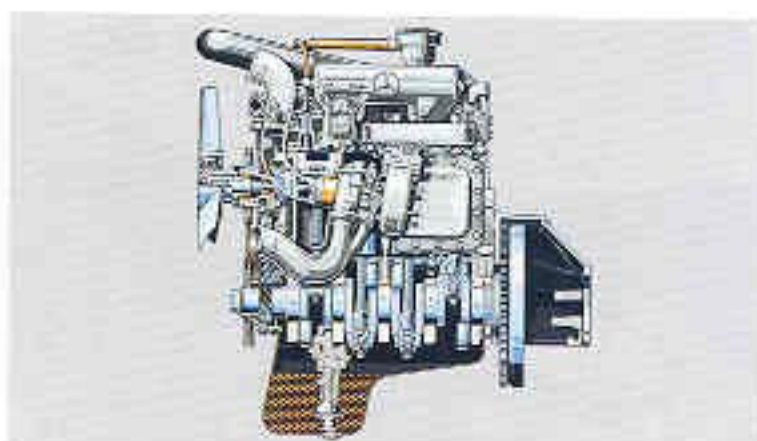
The range of special equipment means that a Mercedes dropside can be specified for every transport job. Vehicles are available in three body-lengths, with either the standard or the crew-cab. Load-beds with areas up to 11.4 m<sup>2</sup> designed especially for pallets and gross combination weights up to 14.99 tonnes ensure sufficient capacity for all delivery requirements.



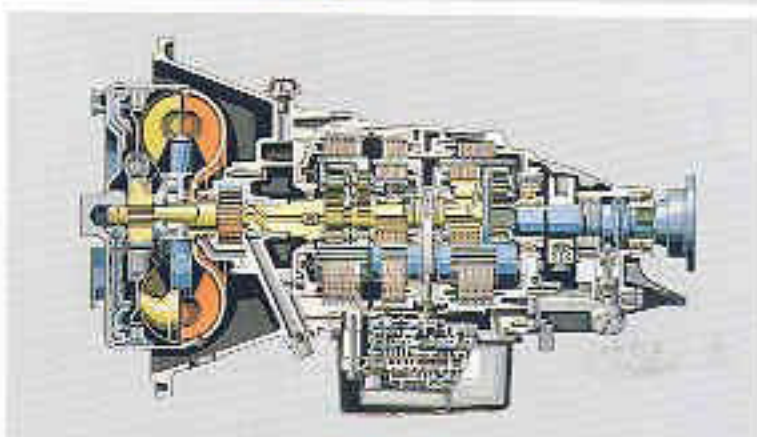


With its accurately calculated ratios, the proven five-speed all-synchromesh gearbox – developed by Mercedes-Benz – transmits engine power with high efficiency. Matched to the engine output and to the individual model, it makes a great contribution to performance and economy. The 364 series engines can be combined with a synchromesh six-speed gearbox as an optional extra.

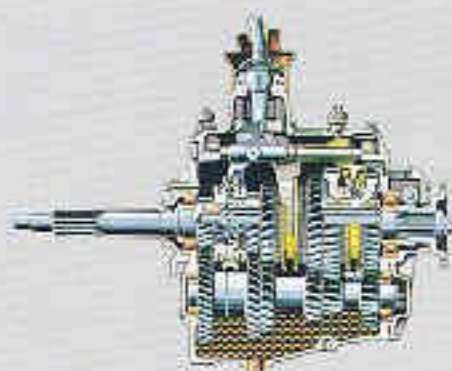
Power-take offs, with fast or slow ratios, are available for all manual gearboxes. Four-speed automatic transmission is also available as an optional extra; it reduces stress on both the driver and his vehicle. All large vans are also optionally available with differential lock.



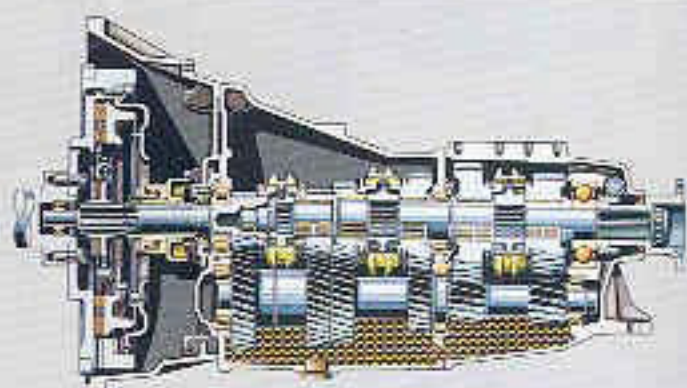
The G1.16.5 five-speed manual gearbox for the 510 and 507 D models.



5-speed automatic transmission W 4 B 1115, (not available for model 814 DA).



The G2.27.5 five-speed gearbox, fitted in all vehicles from the G38 D through to the 814 D.



5-speed transmission G3.50.6/7.5 for model 814 DA.

The V0 550-0W transfer case for 814 D 81-wheel drive model.

