

## Suspension.

- Front axle
- Parabolic springs with stabilizer bars.
  - Shock absorbers.
  - Capacity 6,500 Kg per axle.
- Rear axle
- Mercedes-Benz Air Bag suspension.
  - Telligent® level adjustment - with driver key pad.
  - Four air bags per axle with stabilizer bar and shock absorbers.
  - Maintenance free molecular rubber mounts.
  - Capacity 2 x 11,200 Kg.
  - Full differential locks.
  - Telligent® Traction Control- Automatic traction control.
- Option
- Mercedes-Benz 6 rod, single point suspension with parabolic springs.
  - Capacity 20,000 Kg.

## Steering.

- Mercedes-Benz
- LS8 recirculating ball with integral power steering.
- Steering wheel
- Soft feel 450 mm steering wheel.
  - Fully adjustable steering column - 65 mm vertically.
  - 15 to 42 degrees inclination.

## Wheels and Tyres.

- Tyres
- Steer - Michelin XZE-2 275/70 R 22.5" (4).
  - Drive - Michelin XDE-2 275/70 R 22.5" (8).
- Wheels
- 10 stud Alcoa aluminium wheels - 8.25" x 22.5" (12).

## Chassis Frame.

- Main Rail
- 286 mm Web x 70 mm flange x 8.0 mm thick.
  - High grade steel (E 500 TM) protected by Cathodic dip priming.
  - Rear rail width 760 mm.
  - Holes patterns every 50 mm for add on parts and components.
  - All major suspension and cross members are Huck-bolted.
  - Front cross member tow pin centre mounted.
- Wheelbase
- 4,800mm

## Fuel Tanks.

- Capacity
- Standard 1 x 400 litre Rectangular Aluminium RHS.
  - Primary Fuel Filter with Water Separator.

## Electrical System.

- Voltage
- 24 Volts.
- Batteries
- Twin 12 Volt 165 AMP hour.
- Alternator
- 28 volt / 80 AMP.
- Option
- 12 Volt Cabin Power source mounted in center console.
- Turn Signals
- 24V, 3 + 2 X 21W.
- Road Lights
- Clear Lens Halogen headlights - hinged for easy access.
  - Range: - 115 Meters, Illumination Spread:- 34 Degrees.
- Option
- Xenon Headlights (Includes Headlight Washers).
  - Range: - 400 Meters, Illumination Spread:- 26 Degrees.
- Fuses
- Automatic fuses - dash board mounted.

## Maintenance System.

- Telligent® Maintenance System.
- The Telligent® maintenance system constantly monitors the following items, and advises when the next servicing or maintenance is required:- Oil Level, Coolant Level, Windscreen Washer fluid level, Disc Brake lining wear, Air filter condition, Oil Pressure and temperature, Coolant temperature, Charge air pressure and temperature, Fuel temperature, Ambient temperature, Gear changes, hours of operation, and the number of hot/cold starts.

## Kerb Weights.

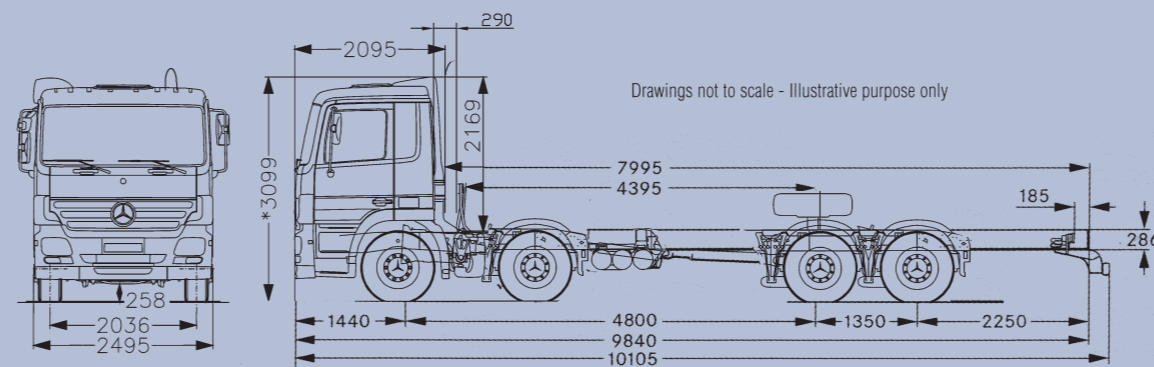
Calculated for Slim cab/chassis at standard specification but no fuel, tools or spare wheel/tyre.

- Front axle
- approx 6,510 kg.
- Rear axle
- approx 2,700 kg.
- Total
- approx 9,210 kg.

## Maximum Weights.

- G.V.M.
- 32,000 kg.
- G.C.M.
- 70,000 kg.

## Dimensions -



Note: Drawings are general arrangement drawings only.

Specifications and information referred to herein were correct at the time of publication. Some of the equipment depicted either on vehicle illustrations or separately may be non-standard or optional at extra cost.

DaimlerChrysler New Zealand Ltd. reserves the right to discontinue or modify any vehicle or optional equipment at any time without prior notice to meet any requirement of a manufacturing or commercial nature which it may deem appropriate. Consult your authorised Mercedes-Benz Dealer for the latest details on specifications, options, prices and availability.

Authorised dealer

To speak to your nearest authorised Mercedes-Benz dealer about the new Actros call 0800 628 782.

## Actros

3250 L/48 and 3254 L/48 Specifications



Slim Cab

DaimlerChrysler New Zealand Ltd.

7 Clemow Drive, Mt Wellington, Auckland  
Telephone: (09) 573 0192. Facsimile: (09) 573 5990.  
www.mercedes-benz.co.nz

The  and the words Mercedes-Benz are registered trademarks of DaimlerChrysler AG, Germany.



Mercedes-Benz



Mercedes-Benz

## Engine.

Black = Specifications for BOTH 3250 and 3254.  
**Red= Indicates 3250 specifications only.**  
**Green= Indicates 3254 specifications only.**

Mercedes-Benz	<ul style="list-style-type: none"> <li>OM 502 LA turbocharged/intercooled V8.</li> <li>Four stroke diesel with direct injection system.</li> <li>Telligent® engine management system.</li> </ul>
Maximum Power	<ul style="list-style-type: none"> <li><b>370 kW (503 hp) @ 1,800 RPM*</b></li> <li><b>395 kW (537 hp) @ 1,800 RPM.*</b></li> </ul>
Maximum Torque	<ul style="list-style-type: none"> <li><b>2,400 Nm (1,770 lb/ft) @ 1,080 RPM*</b></li> <li><b>2,500 Nm (1,845 lb/ft) @ 1,080 RPM.*</b></li> </ul> <p>*To EEC 80/1269 conditions.</p>
Emission Level	<ul style="list-style-type: none"> <li>Euro 111.</li> </ul>
Bore	<ul style="list-style-type: none"> <li>130 mm.</li> </ul>
Stroke	<ul style="list-style-type: none"> <li>150 mm.</li> </ul>
Capacity	<ul style="list-style-type: none"> <li>15,928 cc.</li> </ul>
Fuel Injection	<ul style="list-style-type: none"> <li>Single unit pumps with solenoid-valve-controlled injection.</li> </ul>
Compression Ratio	<ul style="list-style-type: none"> <li>17.25 : 1.</li> </ul>
Turbocharger	<ul style="list-style-type: none"> <li>Twin Turbocharger.</li> </ul>
Air Compressor	<ul style="list-style-type: none"> <li>Gear driven.</li> <li>580L/min at 12 bar b/pressure.</li> </ul>
Air Cleaner	<ul style="list-style-type: none"> <li>Paper element with pre-filter.</li> </ul>
Cooling	<ul style="list-style-type: none"> <li>44.5 Litres coolant and High Speed Fan and larger radiator.</li> </ul>
Oil Capacity	<ul style="list-style-type: none"> <li>40 Litres.</li> </ul>
Fuel Filter	<ul style="list-style-type: none"> <li>Primary Fuel Filter.</li> </ul>
Insect Screen	<ul style="list-style-type: none"> <li>Radiator Insect Screen.</li> </ul>

## Electronic Management Systems.

Mercedes-Benz	<ul style="list-style-type: none"> <li>Engine Control.</li> </ul>
Telligent®	<ul style="list-style-type: none"> <li>Drive Control (cruise and road speed).</li> <li>Braking and traction control.</li> <li>Gearshift system.</li> <li>Maintenance system (scheduling and diagnostics).</li> <li>All Telligent® systems are interfaced through CAN (Control Area Network) databus.</li> </ul>

## Clutch.

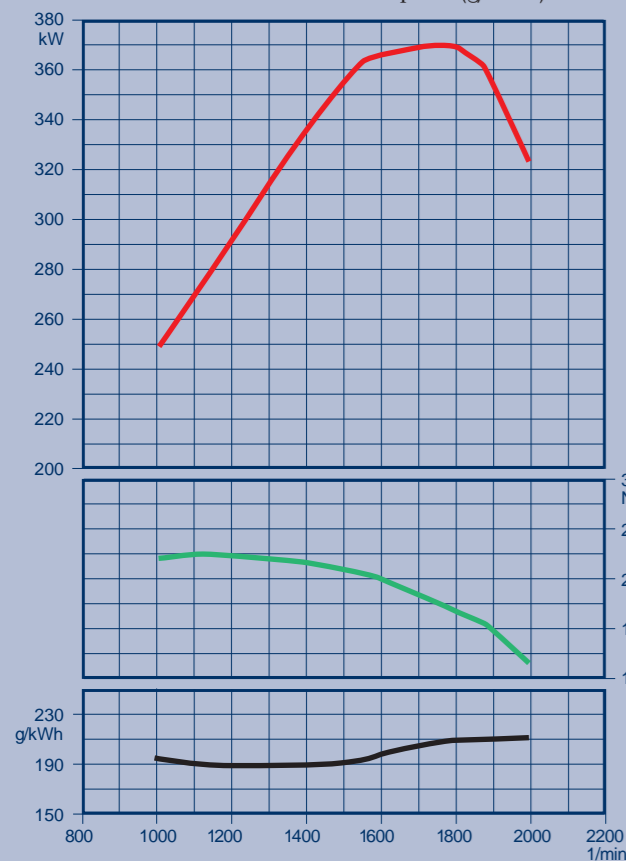
Type	<ul style="list-style-type: none"> <li>Self adjusting single dry plate.</li> </ul>
Operation	<ul style="list-style-type: none"> <li>Hydraulic with air assistance.</li> </ul>
Diameter	<ul style="list-style-type: none"> <li>430 mm.</li> </ul>

## Gearbox.

Mercedes-Benz	<ul style="list-style-type: none"> <li>G 240 - 16/11,7 - 0.69 - 16 Speed Synchromesh with Telligent® Electronic Gearshift 11.</li> </ul>																																								
Gear Shift	<ul style="list-style-type: none"> <li>Gear Shift control mounted directly on seat arm rest.</li> </ul>																																								
Ratios	<table> <tr> <td>1st</td> <td>11.720</td> <td>9th</td> <td>2.664</td> </tr> <tr> <td>2nd</td> <td>9.747</td> <td>10th</td> <td>2.215</td> </tr> <tr> <td>3rd</td> <td>7.916</td> <td>11th</td> <td>1.799</td> </tr> <tr> <td>4th</td> <td>6.583</td> <td>12th</td> <td>1.496</td> </tr> <tr> <td>5th</td> <td>5.291</td> <td>13th</td> <td>1.203</td> </tr> <tr> <td>6th</td> <td>4.400</td> <td>14th</td> <td>1.000</td> </tr> <tr> <td>7th</td> <td>3.636</td> <td>15th</td> <td>0.826</td> </tr> <tr> <td>8th</td> <td>3.023</td> <td>16th</td> <td>0.687</td> </tr> <tr> <td>1st reverse</td> <td>10.656</td> <td></td> <td></td> </tr> <tr> <td>2nd reverse</td> <td>8.861</td> <td></td> <td></td> </tr> </table>	1st	11.720	9th	2.664	2nd	9.747	10th	2.215	3rd	7.916	11th	1.799	4th	6.583	12th	1.496	5th	5.291	13th	1.203	6th	4.400	14th	1.000	7th	3.636	15th	0.826	8th	3.023	16th	0.687	1st reverse	10.656			2nd reverse	8.861		
1st	11.720	9th	2.664																																						
2nd	9.747	10th	2.215																																						
3rd	7.916	11th	1.799																																						
4th	6.583	12th	1.496																																						
5th	5.291	13th	1.203																																						
6th	4.400	14th	1.000																																						
7th	3.636	15th	0.826																																						
8th	3.023	16th	0.687																																						
1st reverse	10.656																																								
2nd reverse	8.861																																								

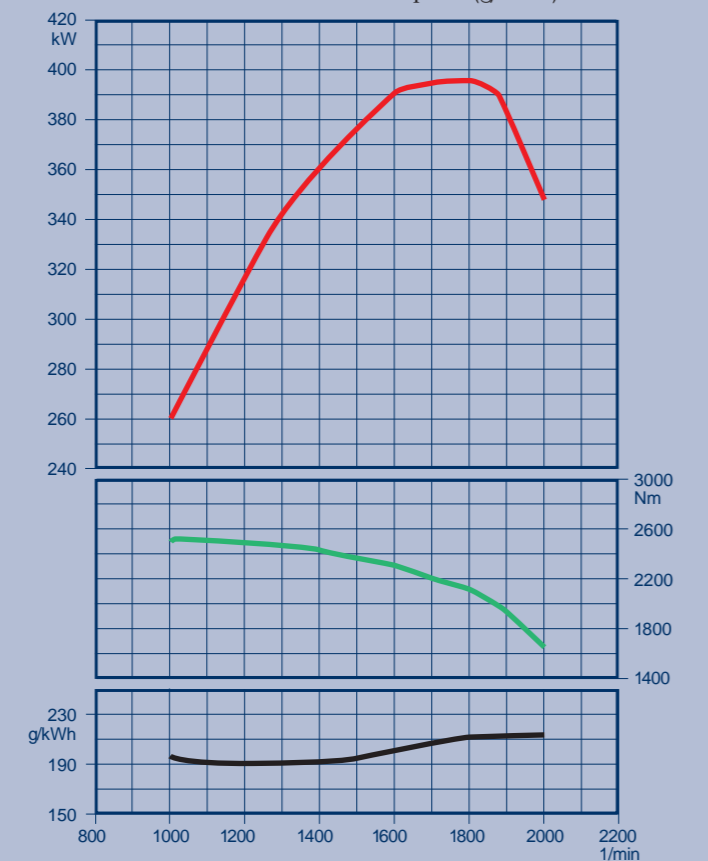
## Performance Curves - 3250.

— = Maximum Power Curve (kW)  
— = Maximum Torque (Nm)  
— = Fuel Consumption (g/kWh)



## Performance Curves - 3254.

— = Maximum Power Curve (kW)  
— = Maximum Torque (Nm)  
— = Fuel Consumption (g/kWh)



## Power Take Off.

Options	<ul style="list-style-type: none"> <li>Transmission Mounted PTO and dash control.</li> <li>PSM module for PTO Interface with engine Telligent® Systems.</li> </ul>
---------	--

## Axles.

Front	<ul style="list-style-type: none"> <li>Mercedes-Benz VL 4/51 DC Tandem</li> <li>Capacity 7,500 kg. per axle (excludes tyres)</li> </ul>
Rear	<ul style="list-style-type: none"> <li>Mercedes-Benz H7 planetary hub reduction.</li> <li>Capacity 2 x 13,000 kg. (excludes tyres)</li> <li>300 mm Crown Wheel and Pinion.</li> <li>Full Differential Locks.</li> </ul>
Ratio	<ul style="list-style-type: none"> <li>4.143 : 1.</li> </ul>
Option	<ul style="list-style-type: none"> <li>4.571 : 1.</li> </ul>

## Performance. Calculated - Standard specification. Check.

Geared Speed	<ul style="list-style-type: none"> <li>110 KPH @ 1,800 RPM</li> </ul> <p>Note:- Road speed limited to 104 Km/hr.</p>
--------------	--

## Cabin.

Mercedes-Benz	<ul style="list-style-type: none"> <li>Forward Control Medium Cabin.</li> <li>Comfort Cabin Spring Suspension.</li> </ul>
Option	<ul style="list-style-type: none"> <li>Sleeper Bunk for Medium Cabin.</li> </ul>
Option	<ul style="list-style-type: none"> <li>Forward Control Slim Cabin.</li> </ul>
Option	<ul style="list-style-type: none"> <li>High Roof Long Sleeper Cabin with 1 Bunk.</li> <li>Cabin Air Suspension.</li> <li>Three Centre Roof Lights.</li> <li>Second Bunk.</li> </ul>
Option	<ul style="list-style-type: none"> <li>Low Roof Long Sleeper Cabin with 1 Bunk.</li> <li>Cabin Air Suspension.</li> </ul>
Option	<ul style="list-style-type: none"> <li>Roof mounted air fairing.</li> </ul>
Construction and Finish	<ul style="list-style-type: none"> <li>All steel monocoque design safety cabin with maximum structural strength and stiffness with self supporting lightweight all-steel shell.</li> <li>Panels galvanized as required.</li> <li>Zinc Phosphating, Cathodic dip priming, Hydro Filler and Top Coat.</li> <li>Internal floor and underbody sealant.</li> <li>All cavities waxed filled.</li> <li>Cabin fully lined and insulated.</li> </ul>
Cabin Safety	<ul style="list-style-type: none"> <li>Cabin is built to comply with the ECE R29 safety requirements.</li> </ul>
Option	<ul style="list-style-type: none"> <li>Driver's airbag and seat belt pre-tensioner.</li> </ul>
Cabin Suspension	<ul style="list-style-type: none"> <li>Medium Cabin:-</li> <li>Front - Spring Struts and Torsion Bar</li> <li>Rear - Spring Strut.</li> <li>Vibration Frequency - 1.8 Hz</li> </ul>
Option	<ul style="list-style-type: none"> <li>Cabin Suspension for rough terrain (6 Hz)</li> </ul>
Cabin Access	<ul style="list-style-type: none"> <li>Three wide non-skid steps forward of front axle.</li> <li>Access steps illuminated for night safety.</li> <li>Doors open to angle of 95 Degrees with left and right grab handles.</li> <li>Easy access through-out spacious cabin interior.</li> </ul>
Emergency Access	<ul style="list-style-type: none"> <li>Both doors automatically unlock in the event of an accident, ensuring access by</li> </ul>

Service Access	<ul style="list-style-type: none"> <li>Rescue Services.</li> <li>Daily maintenance access through wide opening front panel/grille.</li> <li>Cabin tilt to 70 Degrees for maintenance.</li> <li>Engine mounted Start/Stop button.</li> </ul>
Sun Visors	<ul style="list-style-type: none"> <li>Exterior Transparent Sun Visor.</li> <li>Two Interior visors.</li> </ul>
Seating	<ul style="list-style-type: none"> <li>Driver - Fully adjustable air suspended Isringhausen seat with head rest. Features integrated mounted seat belt with retractor.</li> <li>Adjustable: Fore/Aft, Backrest, Height, Seat Cushion, and Damping.</li> <li>Passenger - Fold Up Velour Seat.</li> <li>Two interior lights, door activated.</li> <li>Driver and passenger reading lights.</li> </ul>
Interior lighting	<ul style="list-style-type: none"> <li>Steering column adjustable in rake and height.</li> </ul>
Steering Column	<ul style="list-style-type: none"> <li>Pneumatic Lock.</li> </ul>
Mirrors	<ul style="list-style-type: none"> <li>LH &amp; RH Mirrors Electrically Adjusted.</li> <li>LH &amp; RH main mirrors have automatic on/off heat operation.</li> <li>LH Spotter mirror and Down mirror.</li> <li>Manual over-ride switch for Heated Mirrors.</li> </ul>
Visibility	<ul style="list-style-type: none"> <li>Laminated windscreen with excellent all-round view.</li> <li>Narrow A-pillars reduce blind spots.</li> <li>Wide angle mirrors, large flat mirrors and down mirrors to give the driver an excellent side and rear vision.</li> <li>Three speed wipers with integrated spray system in the wiper arms.</li> <li>Intermittent Wipers variably adjustable.</li> <li>Tinted Glass Windows.</li> <li>Rear Cabin Windows.</li> <li>Left Hand and Right Hand Windows Electrically operated.</li> </ul>
Option	<ul style="list-style-type: none"> <li>No Rear Cabin Windows Fitted (Standard on High Roof Long Cabins).</li> </ul>
Heating and Ventilation	<ul style="list-style-type: none"> <li>The heating and ventilation system is powered by a four speed blower with an effective pollen and micro-dust filter.</li> <li>All heating, cooling and air conditioning controlled by rotary switches.</li> </ul>

Trim	<ul style="list-style-type: none"> <li>Full Air Conditioning with filter.</li> <li>The windscreen has eight de-misting vents, and each door has de-misting vents.</li> <li>Adjustable roof mounted opening air vent.</li> <li>Pollen Filter.</li> <li>Standard dash trim.</li> <li>Hard wearing fabrics for seats and door inserts.</li> <li>Wear resistant flooring and tunnel coverings.</li> <li>Impact areas are safety formed with non-flammable and non-splintering energy absorbing trim, especially in front of the drivers and passengers knees.</li> <li>Roof and rear/side walls lined with wear resistant fabric.</li> <li>Woodgrain dash trim, instruments and controls.</li> <li>Speedometer - electronic.</li> <li>Tachometer with optimum operating range Illuminated in green.</li> <li>Water temperature gauge.</li> <li>Fuel gauge.</li> <li>Oil Pressure gauge.</li> <li>Brake line pressures (Dual circuits).</li> <li>Warning Buzzer - Engine Speed and Coolant Temperature.</li> <li>Gear selection indicator.</li> <li>Differential lock/Power Divider Lock/PTO display panel.</li> <li>Telligent® Maintenance System control panel.</li> </ul>
Instruments and Controls	<ul style="list-style-type: none"> <li>Telligent® information display</li> <li>Engine Oil Level</li> <li>Brake Wear Indicator</li> <li>Clutch Wear</li> <li>Air Cleaner Indicator</li> <li>Power Steering Oil Level</li> <li>Air Vessel Condensation</li> <li>Critical Operating State</li> <li>Ambient Temperature Gauge</li> <li>Fuel Consumption Readout.</li> <li>Indicator Light Panel for</li> <li>Warning Stop Lamp</li> <li>Main Beam</li> <li>Parking Brake</li> <li>Exhaust Brake</li> <li>Cabin Lock</li> <li>Charging Current</li> <li>ASR (Traction Control)</li> <li>ABS (Anti-Lock Brakes)</li> </ul>

Radio/CB/Phone	<ul style="list-style-type: none"> <li>Stalk operated (LH) horn (Electric/Air), windscreen washers/wipers, headlight dip/main beam/flash turn indicators, Intermittant Wipe Adjustment.</li> <li>Stalk operated (RH) engine brake, Tempo-Mat (Cruise control), TempoSet (Maximum Speed) and engine idle speed.</li> <li>Electric window and mirror switches.</li> <li>Three rotary switches for heating, ventilation and air conditioning.</li> <li>Factory installed CD player</li> <li>Hands free mobile phone provision (certain model phones only)</li> <li>Provision for customer supplied CB Radio (Including Antenna).</li> <li>Steering Wheel Mounted Radio and Phone Controls.</li> </ul>
Warning Systems	<ul style="list-style-type: none"> <li>Telligent® Engine Management system monitors coolant level and temperature, oil level, temperature and pressure, with automatic shut-down and/or de-powering system.</li> </ul>
Document/Drinks Storage	<ul style="list-style-type: none"> <li>Dashboard and Door pockets.</li> <li>Overhead storage lockers.</li> <li>Rear Cabin Wall.</li> </ul>
Storage Lockers	<ul style="list-style-type: none"> <li>Two large Storage Lockers accessible from Cabin Exterior as well from under the lower bunk (Long Cabin).</li> </ul>
Spray Suppression	<ul style="list-style-type: none"> <li>Front Mudguards fitted with anti-spray Suppression.</li> </ul>

## Brakes.

Service	<ul style="list-style-type: none"> <li>Telligent® Brake System.</li> <li>Disc brakes - 430 mm dia. Discs on each axle.</li> <li>Dual brake circuits</li> <li>Electro - pneumatic braking.</li> <li>2 Piston floating caliper brakes.</li> <li>Automatic adjustment.</li> <li>ABS - Anti-Lock Brakes with traction control.</li> <li>Compressed Air Dryer.</li> </ul>
Roll Back Prevention	<ul style="list-style-type: none"> <li>Roll Back Prevention for starting on inclines.</li> </ul>
Parking	<ul style="list-style-type: none"> <li>Spring loaded parking brakes on both rear axles.</li> </ul>
Engine Brake	<ul style="list-style-type: none"> <li>Active Engine Brake (A.E.B.) with constantly open throttle.</li> </ul>