

STANDARD SPECIFICATIONS

MODEL DESIGNATION LEU602

ENGINE: MACK MP7-325M

Peak Horsepower – 325HP at 1500-1900 RPM
Horsepower – 300 HP at 2100 Gov. RPM
Max. Torque – 1200 lb/ft at 1200 RPM
V-MAC IV – Total Vehicle Electronics
Air Compressor – Meritor/WABCO 636 (37.4 cfm)
Air Cleaner, 15" Single Element w/Snorkel Dry Type
Alternator, Leece Neville 12V 160A
Batteries, (3) Mack 12V M/F Group – 650 CCA
Total 1950 CCA Treaded Stud Type Terminals
Coolant Protection - 34°F (-37°C)
Mack Coolant Conditioner
Diesel Particulate Filter – Vertical RH Side Back of Cab
Exhaust After Treatment System, Ceramic Non-Catalyzed
Engine Block Heater, 120V 1500W
Silicone Engine Hoses and Tubing
Fan Drive, Electronically Modulated Type
Flywheel Housing, Aluminum
Fuel-Water Separator - Mack
Silicone Radiator & Heater Hoses
Extended Service Interval (ESI) w/Centri Max
Starter, 12V Gear Reduction
Electronic Starter Interlock

TRANSMISSION: ALLISON 4500-RDS-6

6-Speed Automatic
Ratios: 4.70 Low – 0.67 High
Includes: Direct Mount Oil Cooler, External Oil Cooler,
Internal Filter and Oil Level Sensor
Driveline: Meritor 17N HD w/Coated Splines

CAB: LOW ENTRY LH DRIVE w/RH Operating Position

Air Restriction Monitor, Graduated Lock Up Type
Air Cleaner Intake Mounted
Ash Tray w/Hinged Cover
Cab Mounting, Four Point Fixed Type
Cab Tilt, Mounted on RH Fender Bracket
Cigar Lighter
Coat Hook, (1)
Dome Lights: 2 w/Self-contained Switch
Doors: RH Rear Opening Fold Up Door and LH Door
w/Roll-up Window
Engine Shutoff – Key Type Control
Dual Air Pressure Gauge
Voltmeter
Engine Coolant Temperature Gauge
Engine Oil Pressure Gauge
Fuel Level Gauge
Speedometer w/Odometer Proximity Pick-up and Magnetic Sensor
Tachometer w/Hourmeter
Transmission Oil Temperature Gauge
Safety Tinted Windshield w/Non-Tinted Side and Rear Windows
Grab Handles, Aluminum RH & LH Behind Door
Heater w/Integral Defroster
Horn, (1) Twin Trumpet w/Dual Lanyard Control
Single Tone Electronic
Identification and Clearance Lights (7)
Interior Trim: Silver Gray Vinyl
Keys, 2 – Keyed at Random
Exterior Mirrors, LH and RH Motorized w/ Heated Retractable
Arms and Brackets

MAEK

TerraPro Low Entry 4X2 SERIES



- Low Entry Tilt Cab
- Dual Control, Right-Hand Low Entry Stand-Up Operating Position
- 4-Wheel Truck
- ABS (Anti-Lock Brake System)

STANDARD

ENGINE: MACK MP7-325M
325 HP [224 kW] Peak Horsepower

TRANSMISSION: ALLISON, 4500 RDS
6-Speed Automatic

FRONT AXLE: MACK FXL20
20,000 lb. [9 072 kg] Capacity

REAR AXLE: MACK RA23R
23,000 lb. [10 433 kg] Capacity
Suspension: Multileaf Springs



STANDARD SPECIFICATIONS

(Continued)

CAB: CA68 CONVENTIONAL (Continued)

Front Fender Mounted Mud Flaps
Parking Brake Control w/Warning Light
CB – 5 way Binding Post
Rear Window, Fixed
Seating:
 Driver – Bostrom Talladega 910 Mid-Back Air Suspension
 w/Black Dupont Covering
 Rider – Mack Fold Up w/Black Dupont Covering
Seat Belts, Lap and Shoulder for Driver
 Lap for Fold Up Rider Seat
Seat Belt Retractors
Side Markers, Lamps and Reflectors
Key Type Starter Switch
Steering Column, Fixed
Sun Visor, Interior Both Sides
Turn Signal Switch, Manual Cancelling
Ventilation, LH Door Vent
Windshield Protector
Windshield Washers, Wiper Mounted with 7qt Reservoir
Windshield Wipers:
 2 Speed Electric Motor w/Intermittent Feature
Hydraulic Pump Mtg. Provisions

FRAME:

Wheelbase (WB) – 157"
Load Platform (LP) – 249"
Cab to Axle (CA) – 154"
Axle to End of Frame (AF) – 95"
Frame Rails – Steel
Cross Section – 13.38" x 3.25" x .38"
Section Modulus, 23.49 in.³
RBM (per rail) – 2,818,800 lb. in.
Bumper: Painted Steel Flush Mounted
Bumper to Back of Cab (BBC) – 59"
Crossmembers: ½" Plate Type Bolted Back of Cab
 Intermediate ⅜" Below Rail
Front Tow Pin

FUEL TANKS:

Capacity/Location: 70 Gallon RH
Steel, 24" Diameter
Fuel Lines, Areoquip Fire Resistant

FRONT AXLE: MACK FXL20

20,000 lb. Capacity
Tires: 315/80R22.5
Wheel Equipment: (2) 22.5 x 8.25 Steel Disc
 10-Hole Hub Piloted
Brakes: Meritor "S" Cam 16.5" x 6" Q-Plus w/o Dust Shields
Cast Outboard Mounted Brake Drums
Slack Adjusters – Automatic
Suspension: Mack Taperleaf 20,000 lb. Ground Load Rating
Static Load Cushions
Steering: M100P Plus Right Side Assist Cylinder

REAR AXLE: MACK RA23R

23,000 lb Capacity
Carrier – Malleable CRD203
Suspension – Mack Multileaf 23,000 lb Capacity
Tires: 11R22.5 Duals
Wheel Equipment: (4) 22.5" x 8.25" Steel Disc 10-Hole Hub Piloted
Brakes: Meritor "S" Cam 16.5" x 7" Q-Plus w/o Dust Shields
Wheel Seals – Oil
Slack Adjusters – Automatic
Spring Brake Chambers:
 (2) 30/30 Double Diaphragm Type
 Mechanical Spring Release

AIR/BRAKE:

Dual Air Brake System
Dual Air Dryer for CTI w/Cooling Tank
Air Reservoirs – Steel
Bendix Anti-Lock Brake System
Automatic Drain Valve, Heated
Work Brake

ELECTRICAL:

Backup Alarm – Preco Model 1059
Battery Box – Painted Steel w/Locking Tab
Battery Disconnect Switch, Mtd. RH Side of Battery Box
Battery Switch Warning Light
Daytime Running Lights:
 Engine Running Activated
Electric Circuit Protection Package
 12V w/Circuit Breakers
 Negative Ground System
Waterproof Electrical Connections
Control Link
Headlamps – (2) Single Round Halogen Lamps
Rear Lighting
Single Flasher, Kysor

PAINT:

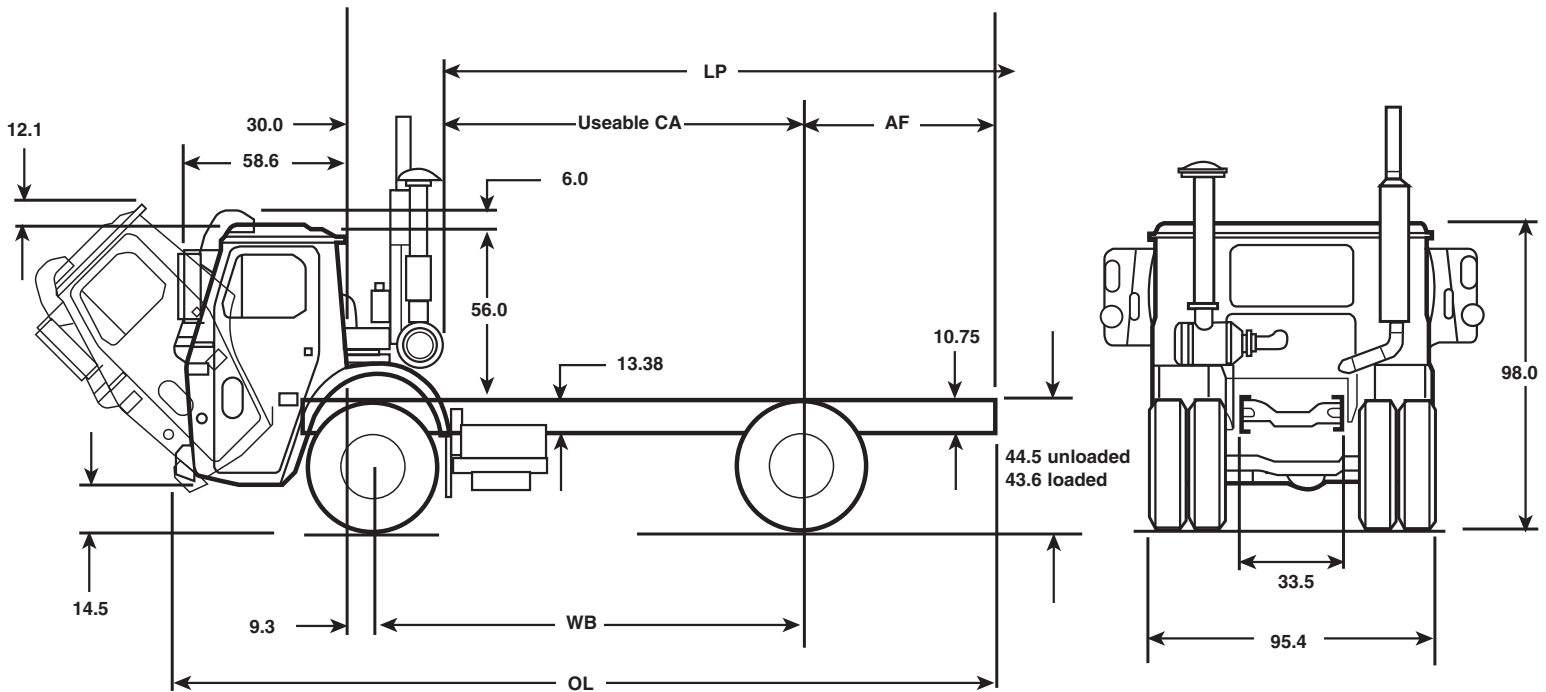
Cab, Hood and Fenders:
 Mack White (High Gloss)
 Urethane Base Coat w/o Clear Coat
Chassis Running Gear:
 Mack Black (Urethane)

WEIGHT:

Font: 11,077
Rear: 3,737
TOTAL: 14,814

CHASSIS SPECIFICATIONS

(All measurements are in inches)



AVAILABLE DRIVELINE COMPONENTS

MP7—ENGINES	
MODEL	HORSEPOWER
MACK	
MP7-345C	345 HP [257 kW] @ 1500-1700 RPM 320 HP [239 kW] @ 1950
MP7-325M	325 HP [242 kW] @ 1500-1900 RPM 300 HP [224 kW] @ 2100

TRANSMISSIONS		
MODEL	SPEEDS	RATIOS (LOW/HIGH)
ALLISON		
4500 RDS	5	4.70/0.76
4500 RDS	6	4.70/0.67

AXLES		
CAPACITY	MAKE	MODEL
FRONT AXLES		
20,000 lb. [9 072 kg]	MACK	FXL20
SINGLE REAR AXLES		
23,000 lb. [9 072 kg]	MACK	RA23R
30,000 lb. [13 608 kg]	MACK	RA30

OPTIONAL EQUIPMENT

WHEELBASE/LP:

Wheelbase Availability: 98" to 255"

LP Availability: 128" to 297"

See MackTraQ for all available Combinations

SPECIAL SALES PACKAGES:

Left Hand Sitdown Drive Package

Right Hand Drive Option

Dual Sitdown Drive Option

See MackTraQ for Detailed Information on Special Sales Packages

OTHER OPTIONAL EQUIPMENT:

Additional Alternator Options

Battery Option – (4) Mack 12V

Chassis Keyed Alike

Convex Mirrors

Engine Block Heater – 240V 1500W

Engine Brake – Mack Powerleash

Gauge Options:

Exhaust Pyrometer

Metric

Inside Frame Reinforcement

LH Fuel Tank

Personalized Name Plate

Rear View Camera Prep Kit

Roof Vents

Skid Plate

Starter – Delco 12V MTDH 39

Stereo Cassette/Stereo CD Radio Options

Synthetic Lubricants

Wheel Lugwrench

OTHER COMPONENT OPTIONS MAY BE
AVAILABLE UPON REQUEST