



MACK TRUCKS



MODEL

MR-400P

SERIES

STANDARD EQUIPMENT

(BASED ON MODEL MR-400P)

WHEELBASE	103" (LF 201" CA 129.5")
ENGINE: (CATERPILLAR)	13208 D.J.
Type	Naturally aspirated 8 cylinder
Bore & stroke	4.5" X 5.0"
Piston displacement, cu. in.	634
Brake hp @ 2800 rpm	175
Max. torque @ 1400 rpm	400 lb.-ft.
Lube oil filter	Full-flow spin-on
Air cleaner	Dry type
Radiator, frontal area	1,000 sq. in.
Thermostat, to open	175°
Fuel pump (Caterpillar)	Sleeve metering type
<i>*Not certified for State of California.</i>	
FUEL TANK	50 gal., rightside, steel rd.
ELECTRICAL SYSTEM: Alternator (E/N)	12 Volt, 65 Amp.
Starting System	12 Volt
Batteries (Group 4H)	(4) 6 Volt
Plates per cell 23; Amp. hr @ 20 hr. rate	165
CLUTCH:	Cl 696 or Cl 778
Make	Spicer Lip
Size	14" 2-plate 14" 2-plate
Lining	Organic Organic
Area of engagement	423 sq. in. 423 sq. in.
TRANSMISSION: Model	Spicer CM-6052-A
Type	5 spd., direct
*Driveshaft Series (Main)	1610
FRONT AXLE: (MACK)	FAW 534C
Capacity	10,500 lbs.
REAR AXLE: Model	L-155C
Capacity	18,500 lbs.
Carrier	L-155, Single-reduction
Ratios	4.62, 5.29, 5.83, 6.17, 6.50, 6.83, 7.20
<i>*Driveshaft Series represents axle, not manufacturer.</i>	

SPRINGS: Semi-Elliptic	Front (FAW 534C)	Rear (5534C)
Ground load rating	10,500 lbs.	18,500 lbs.
Size	50 1/2" X 3 1/2"	53 1/2" X 3"
Leaves, no. & thickness	13 @ .060"	6 @ .558" 2 @ .499"

BRAKES: Air M/R EL1300-B/W Tu-Flo 501 Compressors	(12.9CFM)	(12.0 CFM)
Front (cam type)	16 1/2" X 5" (314 sq. in.)	
Rear (cam type)	16 1/2" X 7" (440 sq. in.)	
Auxiliary	Spring loaded type	
<i>*Not available w/ET 477.</i>		

AIR RESERVOIR	Two
Location	Under left hand battery box
Capacity (Total)	5,100 cu. in.

WHEELS & TIRES:	
Wheels	Cast, spoke
Tires	10.00-20 (12PR), 7.5 Rims

STEERING GEAR: Model	5G-26
Steering Wheel Diameter, Ratio	22" 32.5:1

FRAME: Size	13 1/2" X 3 1/2" X 5/16"
Material	Heat treated 110,000 PSI Minimum Yield Strength Steel
Section Modulus	20.59 per rail
Resisting bending moment	2,264,900 in. lbs. per rail

CAB: (MACK)	(Incl. rider's seat) CA 531
Type (60" BBC)	Cab-over engine, two man Hydraulic 60" tilt cab

STANDARD CHASSIS WEIGHT (LBS.)	
Front	
Rear	
Total	

CHASSIS EQUIPMENT

Automatic over-voltage breakers
Backup light
Bumper, extended
Cab heater and defroster, \$2,000 plus
Combination stop, tail, & turn
signals (2)
Cold starting aid (see max fuel demand)
—ignition control
(Std. MR-400P only)
Coh. steps, both side, safety meet

Engine fan, viscous type
Federal noise requirement
Fender extension—frame cut
Headlights
Horn, electric, single tone
IQ & clearance lamps
Low air pressure buzzer
Rear view mirror, twin, West Coast
type (black except for 11)
Seat belts & retractors
Side reflectors

Sun visors, dual
Tachometer, single-hand type
Tow pin, front
Tu-Flo 500 air comp., MACK 12.5 CFM
(Std. on MR-400P)
Turn signals, front & rear
(with 4-way flasher)
Undercoating
Underframe exhaust
Visibility window, Rm
Valometer

Warning light for spring loaded
aux. brakes
Wheel wrench and handle
Windshield wipers
Windshield corner wind deflector
Windshield wipers, dual, air,
(2) individual motors

MANDATORY OPTION:
Rear anti-wheel lock
AVAILABLE OPTION:
Front anti-wheel lock

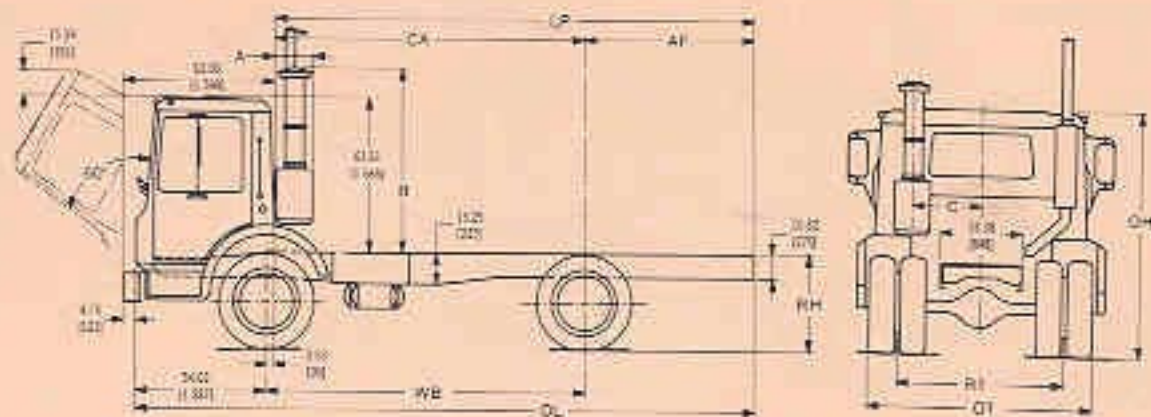
MACK TRUCKS, INC.

ONE OF THE SIGNAL COMPANIES

AUTOLIT



Automobile - Truck - Motorcycle 1900 to Present
ORIGINAL Sales Brochures, Manuals, Books, Posters,
Catalogs, and MUCH More. World's largest selection!



WB	LP	CA	AF	OL
173 [3 378]	201 [5 105]	329.5 [3 285]	71.5 [1 816]	263.9 [6 703]
157 [3 968]	249 [6 325]	153.5 [3 899]	95.5 [2 426]	311.9 [7 922]
169 [4 293]	249 [6 325]	165.5 [4 204]	83.5 [2 121]	311.9 [7 922]
169 [4 293]	173 [5 934]	165.5 [4 204]	107.5 [2 731]	335.9 [8 532]
181 [4 597]	297 [7 544]	177.5 [4 509]	119.5 [3 035]	369.9 [9 141]

TIRE SIZE	OH (APPROX.)	RH		FRONT TREAD*	OT	RT
		EMPTY	LOADED			
10.00-20	103.7 [2 634]	42.5 [1 080]	40.4 [1 025]	80.4 [2 042]	95.3 [2 426]	71.4 [1 814]
10.00-22	106.1 [2 670]	43.5 [1 105]	41.4 [1 052]	80.9 [2 055]	95.3 [2 426]	71.4 [1 814]
11.00-20	104.7 [2 659]	43.1 [1 095]	41.1 [1 044]	80.4 [2 042]	95.1 [2 441]	71.4 [1 814]
11.00-22	105.7 [2 685]	44.1 [1 120]	42.1 [1 069]	80.9 [2 055]	95.1 [2 441]	71.4 [1 814]
12.00-20	105.4 [2 677]	43.7 [1 110]	41.6 [1 057]	80.2 [2 037]	95.1 [2 441]	71.4 [1 814]
15-22.5	104.8 [2 662]	43.2 [1 097]	40.9 [1 039]	82.4 [2 093]	—	—
16.5-22.5	105.7 [2 685]	44.1 [1 120]	41.8 [1 062]	82.4 [2 093]	—	—
18-22.5	106.2 [2 697]	44.5 [1 133]	42.1 [1 069]	82.1 [2 085]	—	—

MAXIMUM PROTRUSION BEHIND CAB				
ENGINE	AIR CLEANER			ENGINE
	A	B	C	
3208 D.I.	11.85 [301]	75.6 [1 927]	31.0 [787]	—
ET 477	11.85 [301]	75.6 [1 927]	31.0 [787]	5.0 [127]

[] Indicates Metric Size

MACK TRUCKS, INC.
ALLENTOWN, PA. "THE TRUCK CAPITAL OF THE WORLD"

8/7812M/W/1 4P

AUTOLIT



Automobile - Truck - Motorcycle 1900 to Present
 ORIGINAL Sales Brochures, Manuals, Books, Posters,
 Catalogs, and MUCH More. World's largest selection!

OPTIONAL EQUIPMENT MR-400P SERIES:

ENGINE	CHASSIS MODEL	BORE & STROKE	NO. OF CYL.	DISP. CU. IN.	BHP @ RPM	MAX. TORQUE @ RPM	RADIATOR SQ. IN.
*ET 477	MR-487P	4.53" x 4.92"	6	475	210 @ 2400	510 @ 1500	1,000
1320B EGR	MR-492P	4.5" x 5.0"	6	636	200 @ 2800	485 @ 1400	1,000

*Certified for State of California

*Cold starting aid std.

WHEELBASES:

157" WB (LP 248" CA 153.5")
169" WB (LP 249" CA 165.5")
169" WB (LP 273" CA 165.5")
181" WB (LP 297" CA 177.5")

FRAME:

Reinforcement	1/2" Inside Channel
Section Modulus (with I.C.)	26.80 per rail
Resisting bending moment	2,948,000 in. lbs. per rail

TRANSMISSION:

RT 610	10 spd., direct
RT 613	12 spd., direct
MT 643 (Allison)	4 spd., automatic
MT 653 DR (Allison)	5 spd., automatic

FRONT AXLES:

FAW 536C-W 10,500 lbs. capacity

Springs: (Multileaf)	(STD.)
Ground load rating	10,500 lbs.
Size	50 1/2" x 3 1/2"
Leaves, no. & thickness	8 @ .447"
Brakes: Cam type	16 1/2" x 5" (314 sq. in.)
Wedge type	15" x 5" (314 sq. in.)

FAW 537C-W 12,000 lbs. capacity

Springs: (Multileaf)	(STD.)	(OPT.)	(OPT. H.D.)
Ground load ratings	12,000 lbs.	10,500 lbs.	12,000 lbs.
Size	50 1/2" x 3 1/2"	50 1/2" x 3 1/2"	50 1/2" x 3 1/2"
Leaves, no. & thickness	7 @ .499"	8 @ .447"	8 @ .499"
Brakes: Cam type	16 1/2" x 5" (314 sq. in.)		
Wedge type	15" x 5" (314 sq. in.)		

***FA(W) 618C** 18,000 lbs. capacity

Springs: (Multileaf)	(STD.)	(OPT. H.D.)
Ground load ratings	18,000 lbs.	18,000 lbs.
Size	50 1/2" x 3 1/2"	50 1/2" x 3 1/2"
Leaves, no. & thickness	11 @ .499"	13 @ .360"

***FA(W) 617C** 20,000 lbs. capacity

Springs: (Multileaf)	(STD.)	(OPT. H.D.)
Ground load ratings	20,000 lbs.	20,000 lbs.
Size	50 1/2" x 3 1/2"	50 1/2" x 3 1/2"
Leaves, no. & thickness	11 @ .499"	14 @ .360"
Brakes: Cam type	16 1/2" x 5" (314 sq. in.)	

*FAW 618C and FAW 617C may require inside channel reinforcement & power steering.

HELPER SPRINGS, REAR:

Size	36" x 3"
Leaves, no. & thickness	8 @ .291"

REAR AXLES:

L-155C-W 18,500 lbs. capacity

Carrier	L-155, Single reduction
Ratios	4.62, 5.29, 5.83, 6.17, 6.50, 6.83, 7.20
Springs:	(STD.) (OPT. H.D.)
Ground load ratings	18,500 lbs. 23,000 lbs.
Size	53 1/2" x 3" 53 1/2" x 3"
Leaves, no. & thickness	6 @ .558" 9 @ .558"
	2 @ .499"

Brakes: Cam type	16 1/2" x 7" (440 sq. in.)
Wedge type	15" x 7" (440 sq. in.)

RAS 512C 23,000 lbs. capacity

Carrier	CRS 84
Ratios	4.63, 5.14, 5.57, 6.17, 6.83, 7.14
Springs:	(STD.) (OPT.) (OPT. H.D.)
Ground load rating	23,000 lbs. 19,000 lbs. 23,000 lbs.
Size	53 1/2" x 3" 53 1/2" x 3" 53 1/2" x 3"
Leaves, no. & thickness	9 @ .558" 6 @ .558" 11 @ .558"
	2 @ .499"

Brakes: Cam type	16 1/2" x 7" (440 sq. in.)
------------------	----------------------------

RAD 529C 23,000 lbs. capacity

Carrier	CRD 117
Ratios	4.62, 4.88, 5.43, 5.78, 6.36, 6.80, 7.48, 7.85, 8.39, 8.83
Springs:	(STD.) (OPT.) (OPT. H.D.)
Ground load rating	23,000 lbs. 19,000 lbs. 23,000 lbs.
Size	53 1/2" x 3" 53 1/2" x 3" 53 1/2" x 3"
Leaves, no. & thickness	9 @ .558" 6 @ .558" 11 @ .558"
	2 @ .499"

Brakes: Cam type	16 1/2" x 7" (440 sq. in.)
------------------	----------------------------

RAD 29C 29,000 lbs. capacity

Carrier	CRD 118
Ratios	4.60, 4.99, 5.52, 5.98, 6.52, 7.21, 7.81, 8.52
Springs:	(STD.)
Ground load rating	29,000 lbs.
Size	51" x 3"
Leaves, no. & thickness	12 @ .499"
(Radius Rads)	3 @ .447"
Brakes: Cam type	16 1/2" x 7" (440 sq. in.)

R 170C-W 23,000 lbs. capacity

Ratios	4.62, 4.87, 5.28, 5.86, 6.14, 6.83, 7.40
Springs:	(STD.) (OPT.)
Ground load ratings	23,000 lbs. 19,000 lbs.
Size	53 1/2" x 3" 53 1/2" x 3"
Leaves, no. & thickness	9 @ .558" 6 @ .558"
	2 @ .499"
Brakes: Cam type	16 1/2" x 7" (440 sq. in.)
Wedge type	15" x 7" (440 sq. in.)

FUEL TANKS:

The following in place of STANDARD:
80 gal. Right side, steel, round

WHEELS & TIRES:

Wheels (7.0 or 8.0 Rims)	Steel Disc
(7.5 or 8.5 Rims)	Hi-Tensile or Accu-Ride Disc
Tires, Size	10.00-20 or 10.00-22 (12P) 7.5 Rims
Size	11.00-20 or 11.00-22 (12P) 8.0 Rims
Size	12.00-20 (14P) 8.5 Rims

(2 20" 20 tires available with FAW 618C, FAW 617C and RAD 29C only)

AIR CLEANER: See Data Book Engine Section

AUTOLIT



Automobile - Truck - Motorcycle 1900 to Present
ORIGINAL Sales Brochures, Manuals, Books, Posters,
Catalogs, and MUCH More. World's largest selection!



MACK
TRUCKS



MODEL
MR-600P
SERIES

STANDARD EQUIPMENT — COE 4-Wheel Truck

(BASED ON MODEL MR-600P)

WHEELBASE	133" (LP 201"; CA 129.5")
ENGINE: (MACK)	†ET 673E
Type	Turbocharged
Bore & stroke	4-7/8" X 6"
Piston displacement, cu. in.	672
Brake hp @ 2100 rpm	200
Max. torque @ 1500 rpm	612
Lube oil filter	Dual, spin-on
Air cleaner	Dry type
Radiator, frontal area	1,000 sq. in.
Fuel pump (Robert Bosch)	Multiple plunger type
Coolant conditioner	Spin-on disposable type
Thermostat, to open	180°F
<i>That is certified for State of California.</i>	
FUEL TANK	50 gal., right side, steel, round
ELECTRICAL SYSTEM: Alternator (L/N)	12 Volt, 65 Amp.
Starting System	12 Volt
Batteries	(4) 6 Volt
Plates per cell 23; Amp. hr @ 20 hr. rate	165
CLUTCH:	CL 691 or CL 771
Make	Spicer Lipé
Size	14" 2-plate 14" 2-plate
Lining	Organic Organic
Area of engagement	423 sq. in. 423 sq. in.
TRANSMISSION: Model	RT 610
Type	Ten spd., direct
FRONT AXLE: Model (MACK)	FAW 536C
Capacity	10,500 lbs.
REAR AXLE	RAS 512C
Capacity	23,000 lbs.
Carrier	CR5 84
Ratios	4.25, 4.63, 5.14, 5.57, 6.17, 6.83, 7.14

SPRINGS:	Front (FAW 536C)	Rear (RAS 512C-W)
Ground load rating	10,500 lbs.	23,000 lbs.
Size	50 1/4" X 3 1/2"	53 1/4" X 3"
Leaves, no. & thickness	8 @ .447"	9 @ .558"

BRAKES: Air-M/R EL1300 - 8/W Tu Flo 501 Compressors (12.9CFM) (12.0 CFM)	
Front (cam type)	16 1/2" X 5" (314 sq. in.)
Rear (cam type)	16 1/2" X 7" (440 sq. in.)
Auxiliary	Spring loaded type

AIR RESERVOIR	TWO
Location	Under left hand battery box
Capacity	5,100 cu. in.

WHEELS & TIRES:	
Wheels	Cast spoke
Tires	10.00-20 (12P), 7.5 Rims

STEERING GEAR: Model (MACK)	SG 26
Steering Wheel Diameter; Ratio	22"; 32.5:1

FRAME: Size	13 1/4" X 3 1/4" X 5/16"
Material	Heat-treated 110,000 PSI Minimum Yield Strength Steel
Section Modulus	20.59 per rail
Resisting bending moment	2,264,900 in. lbs. per rail

CAB:	(Incl. rider's seat) CA 531
Type (63" BBC)	Cab over engine, two man Hydraulic 60" tilt cab

STANDARD CHASSIS WEIGHT (LBS.)
Front Rear Total

Automatic reset circuit breakers
Back-up light
Bumper, extended
Cab heater and defroster, 35,000 btu.
Cab sleep, wash side, safety tread
Combination stop, tail, & rear turn signals (2)
Engine fan, viscous type
Fender extension
Federal noise requirement
Headlights

Horn, electric, single tone
I.D. & clearance lamps
Low air pressure buzzer
Rear view mirror, two, West Coast type (black enamel finish)
Seat belts & retractors
Side reflector
Sun visors, dual
Tachometer, single-hand type
Tow pin, front

CHASSIS EQUIPMENT

Turn signals, front & rear (with 4-way flasher)
Undercoating
Underframe exhaust
Voltmeter
Visibility window, RH
Warning light for spring loaded aux. brakes
Wheel wrench and handle
Windshield corner wind deflectors

Windshield washers
Windshield wipers, dual, air- (2) individual motors

MANDATORY OPTION:
Rear anti-wheel lock

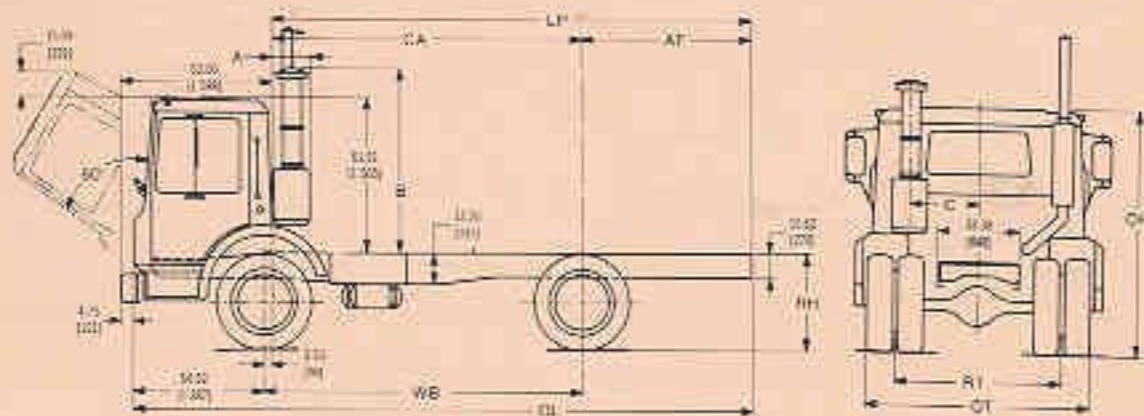
AVAILABLE OPTION:
Front anti-wheel lock

MACK TRUCKS, INC.
ONE OF THE SIGNAL COMPANIES

AUTOLIT



Automobile - Truck - Motorcycle 1900 to Present
ORIGINAL Sales Brochures, Manuals, Books, Posters,
Catalogs, and MUCH More. World's largest selection!



WB	LP	CA	AF	QL
133 (3 378)	201 (5 105)	129.5 (3 289)	71.5 (1 818)	263.9 (6 703)
157 (3 988)	243 (6 325)	153.5 (3 899)	95.5 (2 426)	311.9 (7 922)
169 (4 293)	249 (6 325)	165.5 (4 204)	83.5 (2 121)	311.9 (7 922)
169 (4 293)	273 (6 934)	165.5 (4 204)	107.5 (2 731)	359.9 (9 182)
181 (4 597)	297 (7 544)	177.5 (4 500)	119.5 (3 039)	359.9 (9 181)

TIRE SIZE	OH (APPROX.)	RH		FRONT TREAD	SPOKE WHEELS	
		EMPTY	LOADED		OT	RT
10.00-20	103.7 (2 634)	42.5 (1 080)	40.4 (1 026)	80.4 (2 042)	95.5 (2 426)	71.4 (1 814)
10.00-22	105.1 (2 670)	43.5 (1 105)	41.4 (1 052)	80.9 (2 053)	95.5 (2 426)	71.4 (1 814)
11.00-20	104.7 (2 659)	43.1 (1 095)	41.1 (1 044)	80.4 (2 042)	96.1 (2 441)	71.4 (1 814)
11.00-22	105.7 (2 685)	44.1 (1 120)	42.1 (1 069)	80.9 (2 055)	96.1 (2 441)	71.4 (1 814)
12.00-20	105.4 (2 677)	43.7 (1 110)	41.6 (1 057)	80.2 (2 037)	96.1 (2 441)	71.4 (1 814)
15-22.5	104.3 (2 662)	43.7 (1 097)	40.9 (1 039)	82.4 (2 093)	-	-
16.5-22.5	105.7 (2 685)	44.1 (1 120)	41.8 (1 062)	82.4 (2 093)	-	-
18-22.5	106.2 (2 697)	44.5 (1 133)	42.1 (1 069)	82.1 (2 085)	-	-

MAXIMUM PROTRUSION BEHIND CAB				
ENGINE	AIR CLEANER			ENGINE
	A	B	C	
ET 673E	11.85 (301)	75.5 (1 920)	31.0 (787)	17.1 (434)
ENDT 675	14.57 (370)	75.5 (1 920)	31.0 (787)	17.1 (434)
ENDT 676	15.30 (391)	75.5 (1 920)	31.0 (787)	17.1 (434)

[] indicates Metric Size

MACK TRUCKS, INC.
ALLENTOWN, PA. "THE TRUCK CAPITAL OF THE WORLD"

578100 WJ2 4-

AUTOLIT



Automobile - Truck - Motorcycle 1900 to Present
ORIGINAL Sales Brochures, Manuals, Books, Posters,
Catalogs, and MUCH More. World's largest selection!

OPTIONAL EQUIPMENT MR-600P SERIES:

ENGINE	CHASSIS MODEL	BORE & STROKE	NO. OF CYL.	DISP. CU. IN.	BHP @ RPM	MAX. TORQUE @ RPM	RADIATOR SQ. IN.
*ETY 673E	MR-606P	4-7/8" X 6"	6	672	200 @ 2100	600 @ 1500	1,000
ENDT 675	MR-685P	4-7/8" X 6"	6	672	\$235 @ 2100 (Gov'd)	906 @ 1200	1,000
*ETY 673	MR-685P	4-7/8" X 6"	6	672	\$235 @ 2100 (Gov'd)	906 @ 1200	1,000
ENDT 676	MR-686P	4-7/8" X 6"	6	672	283 @ 2100	1080 @ 1200	1,000
*ETAY 676	MR-686P	4-7/8" X 6"	6	672	283 @ 2100	1080 @ 1200	1,000

*Certified for State of California

(Max. BHP 237 @ 1700)

WHEELBASES:

157" WB (LP 249" CA 153.5")
169" WB (LP 249" CA 165.5")
169" WB (LP 273" CA 165.5")
181" WB (LP 297" CA 177.5")

FRAME:

Reinforcement	1/4" Inside Channel
Section Modulus (with LC)	26.80 per rail
Resisting bending moment	2,948,000 in. lbs. per rail

CLUTCH:

CL 69 Spicer, 2-plate, 14" angle spring	423 sq. in.
CL 721 "Dynamax" 4-plate (wet)	578 sq. in.
CL 75 Spicer, 2-plate, 14" angle spring	144 sq. in.
CL 77 Lipe, 2-plate, 14"	423 sq. in.
CL 78 Lipe, 2-plate, 14"	125 sq. in.
CL 79 Spicer, 2-plate, 15 1/2"	144 sq. in.
CL 82 Spicer, 2-plate	423 sq. in.
CL 83 Spicer, 2-plate	144 sq. in.

FRONT AXLES:

FAW 536C-W	10,500 lbs. capacity
Springs: (Multileaf)	(STD.)
Ground load rating	10,500 lbs.
Size	50 1/2" X 3 1/2"
Leaves, no. & thickness	8 @ .447"
Brakes: Cam type	16 1/2" X 5" (314 sq. in.)
Wedge type	15" X 5" (314 sq. in.)

FAW 537C-W	12,000 lbs. capacity
Springs: (Multileaf) (STD.) (OPT.) (OPT. H.D.)	
Ground load ratings	12,000 lbs. 10,500 lbs. 12,000 lbs.
Size	50 1/2" X 3 1/2" 50 1/2" X 3 1/2" 50 1/2" X 3 1/2"
Leaves, no. & thickness	7 @ .499" 8 @ .447" 8 @ .499"
Brakes: Cam type	16 1/2" X 5" (314 sq. in.)
Wedge type	15" X 5" (314 sq. in.)

*FA(W) 616C	18,000 lbs. capacity
Springs: (Multileaf) (STD.) (OPT. H.D.)	
Ground load ratings	18,000 lbs. 18,000 lbs.
Size	50 1/2" X 3 1/2" 50 1/2" X 3 1/2"
Leaves, no. & thickness	11 @ .499" 13 @ .360"

*FA(W) 617C	20,000 lbs. capacity
SPRINGS: (Multileaf) (STD.) (OPT. H.D.)	
Ground load ratings	20,000 lbs. 20,000 lbs.
Size	50 1/2" X 3 1/2" 50 1/2" X 3 1/2"
Leaves, no. & thickness	11 @ .499" 14 @ .360"
Brakes: Cam type	16 1/2" X 5" (314 sq. in.)

*FA(W) 616C & FA(W) 617C may require inside channel reinforcement and power steering

REAR AXLES:

MT 654CR (Allison)	5 spd., automatic
HT 750CRD (Allison)	5 spd., automatic
HT 750DRD (Allison)	5 spd., automatic

Springs:	(STD.)	(OPT.)	(OPT. H.D.)
Ground load ratings	23,000 lbs.	19,000 lbs.	23,000 lbs.
Size	53 1/2" X 3"	53 1/2" X 3"	53 1/2" X 3"
Leaves, no. & thickness	9 @ .558"	6 @ .558"	11 @ .558"
		2 @ .499"	
Brakes: Cam type	16 1/2" X 7" (440 sq. in.)		

RAD 529C	23,000 lbs. capacity
Carrier	CRD 117
Ratios	4.62, 4.88, 5.43, 5.78, 6.36, 6.80, 7.48, 7.85, 8.39, 8.83

Springs:	(STD.)	(OPT.)	(OPT. H.D.)
Ground load ratings	23,000 lbs.	19,000 lbs.	23,000 lbs.
Size	53 1/2" X 3"	53 1/2" X 3"	53 1/2" X 3"
Leaves, no. & thickness	9 @ .558"	6 @ .558"	11 @ .558"
		2 @ .499"	
Brakes: Cam type	16 1/2" X 7" (440 sq. in.)		

RAD 530C	23,000 lbs. capacity
Carrier	CRD 117
Ratios	4.25, 4.62, 4.88, 5.43, 5.78, 6.36, 6.80, 7.48, 7.85, 8.83

Springs:	(STD.)	(OPT.)	(OPT. H.D.)
Ground load rating	23,000 lbs.	19,000 lbs.	23,000 lbs.
Size	53 1/2" X 3"	53 1/2" X 3"	53 1/2" X 3"
Leaves, no. & thickness	9 @ .558"	6 @ .558"	11 @ .558"
		2 @ .499"	
Brakes: Cam type	16 1/2" X 7" (440 sq. in.)		

RAD 29C	29,000 lbs. capacity
Carrier	CRD 118
Ratios	4.60, 4.99, 5.52, 5.98, 6.62, 7.21, 7.81, 8.52

Springs:	(STD.)
Ground load rating	29,000 lbs.
Size	51" X 3"
Leaves, no. & thickness	12 @ .499"
(Radius Rods)	3 @ .447"
Brakes: Cam type	16 1/2" X 7" (440 sq. in.)

R 170C-W	23,000 lbs. capacity
Ratios	4.62, 4.87, 5.28, 5.86, 6.14, 6.83, 7.40
Springs:	(STD.) (OPT.)

Ground load ratings	23,000 lbs.	19,000 lbs.
Size	53 1/2" X 3"	53 1/2" X 3"
Leaves, no. & thickness	9 @ .558"	6 @ .558"
		2 @ .499"

Brakes: Cam type	16 1/2" X 7" (440 sq. in.)
Wedge type	15" X 7" (440 sq. in.)

NOTE: RAD 529C, RAD 530C or R 170C W becomes obligatory when GCM exceeds 18,000 lbs.

AUTOLIT



Automobile - Truck - Motorcycle 1900 to Present
ORIGINAL Sales Brochures, Manuals, Books, Posters,
Catalogs, and MUCH More. World's largest selection!