



One of The Signal Companies



**MODEL**  
**DM-800ST**  
**SERIES**

## STANDARD SPECIFICATIONS

(Based on Model DM-847ST)

### POWER TRAIN:

#### Engine

Cummins, NTC 300

Horsepower, 300 HP [224 kw] at 2100 Gov. RPM  
Max. Torque, 1000 lb/ft. [1 356 N-m] at 1300 RPM  
Lube Oil System, Full Flow  
Air Compressor, 13.2 cfm [6.2 l/s] rtg.

#### Starting System

**Starter**, 12-Volt

Batteries, (4) Mack 12-Volt (M.F.), 2500 Total CCA

**Alternator**, 12V 65A, Leece Neville

#### Air Intake System

Air Cleaner, Canister (Dry Type)

15" [381 mm] Single Element (External Cowl Mtd.)

Air Restriction Monitor (Air Cleaner Mounted)

Bonnet

**Exhaust**, Underframe

#### Cooling System - Shutterless Type

Radiator, 1000 sq. in. [6 452 cm<sup>2</sup>] Frontal Area

Anti-Freeze to -10°F [-23°C]

Fan Drive, Viscous

Hoses, Heater & Radiator, Neoprene

Coolant Conditioner, Spin-On

**Clutch**, CL69 (14" [356 mm] organic, rigid disc,  
2-plate, angle spring) - Spicer

**Transmission**: RT11 610 Fuller 10-speed

Ratios: 9.96 Low - 1.00 High

Driveline: Refer to Driveline Application Tables

### CAB/HOOD:

**Cab**: CA492

Offset Conventional

### Interior Features

Basic:

Ash Tray

Cigar Lighter

Coat Hook

Dispatch Box

**Heater with Integral Defroster**

Dome Light w/Self-Contained Switch

Adjustable Steering Column

Seats

Driver's, Mack, Non-Suspension

Rider's, Mack, Non-Suspension

Seat Belts - Driver's and Rider's

Sun Visor - Left Side

Floor Mats, Rubber w/Closed Cell Polyethylene  
Backing

### Operational

T.M.C. Type Instrument Panel

Air Pressure Gauge

Voltmeter

Fuel Level Gauge

Engine Oil Pressure Gauge

Engine Coolant Temperature Gauge

Low Air Pressure Indicator

(Light and Buzzer)

### CAB/HOOD: (Continued)

#### Operational

Speedometer/Odometer

Tachometer

High Beam Indicator

Parking Brake On Indicator

Key Type Starting

Hand Throttle Control

Engine Stop Control

#### Exterior Features

Basic:

Welded Steel Shell

Mack Rust Preventative Procedures

Vents (Screened)

Cowl - L.H. One Way Type

- Upper Fresh Air Inlet for Heater

Roof - Two Way Type

Cab Step, R.H. - Frame Mtd.

Safety Glass Windows

Tinted Windshield

Windshield Wipers - Two, Fixed Arm and Blade Type

Wiper Motor (Air Operated), (1), Variable Speed

Windshield Washers, (Electric) Wiper Mtd. with

5 Qt. [4.7 l] Reservoir

**Mirrors**, West Coast (Black Enamel Heads)

R.H. & L.H.

Headlights, (2) Conventional Sealed Beam Type

(7" [178 mm] Round)

Identification and Clearance Lamps (5)

Side Markers - Lamps and Reflectors to

Meet or Exceed Federal Regulations

Front Turn Signals

4-Way Flashers

**Horn** Electric (Single Tone)

Doors - Steel with:

Roll-Up and Vent Windows (Non-Tinted)

Grab Handles (Stainless Steel), R.H. & L.H.

Behind Door

Rear Cab Glass (Non-Tinted)

Cab Mounting

Biscuit Type Front, Fixed Rear

#### Hood and Fenders

Steel Butterfly Hood and Flat Fenders

Exposed Radiator Shell & Radiator Protection Bars

### FRAME AND FUEL

**WB - Wheelbase** - 149" [3 785 mm]

**LP - Load Platform** - 132" [3 353 mm]

CA - Cab to Axle - 84" [2 134 mm]

AF - C/L Axles to End of Frame - 48" [1 219 mm]

Frame Rails - Steel

Cross Section, 10-5/8" x 3-1/4" x 5/16"

[270 x 83 x 8 mm]

Section Modulus - 15.1 In<sup>3</sup> [247 cm<sup>3</sup>]

RBM (per rail) - 1,660,000 lbs. in. [187 555 N-m]

**MACK TRUCKS, INC., ALLENTOWN, PENNSYLVANIA**

ONE OF THE SIGNAL COMPANIES

THE TRUCK CAPITAL OF THE WORLD



**FRAME AND FUEL (Continued)**

**Bumper:** Steel, Swept Back Channel, 92.62" x 12"  
[2 353 x 305 mm]  
Extended Mounting  
B.B.C. 125" [3 175 mm]

**Towing, Pin**

**Fuel Tank**

Steel, Rect., Two-Step  
**Capacity/Location,** 50 Gal. [189.3 l], L.H.

**FRONT AXLE**

FAW 617C, Mack  
20,000 Lb. [9 100 kg] Capacity  
Brakes, "S" Cam (16.5"x5"x0.75") [419 x 127 x 19 mm]  
Suspension, Mack Multileaf Spring  
with 20,000 Lb. [9 100 kg] Ground Load Rating  
Front Axle Ratio Valve  
Oil Seals  
**Steering, Power - (SGP-49 Gear)**  
20,000 Lb. [9 100 kg] Capacity, Ratio 20.1:1  
**Wheel Equipment** Cast Spoke  
**Rim** 7.5" [191 mm]  
**Tires (Singles), Size** 10.00-20, 12 Ply  
**Tread** Standard Highway  
**Vendor** Factory Option

**REAR AXLE**

SS34C, 34,000 Lb. [15 400 kg] Capacity Mack Axle  
**Carriers -** Malleable - CRDPC92/CRD93  
**Ratios Available:** 4.17, 4.42, 4.64, 5.02, 5.32,  
5.73, 6.34, 6.56, 7.00, 7.13, 7.49, 8.24  
Suspension - Mack, 34,000 Lb. [15 400 kg] Capacity  
Camelback Spring  
2 Shock Abs. on Fwd. Axle  
50" [1 270 mm] Axle Wheelbase  
Oil Seals  
Brakes - "S" Cam (16.5"x7"x0.75") [419 x 178 x 19 mm]  
Aux. Spring Brake Chambers  
Double diaphragm type, mechanical  
spring release  
2 Units, mtd. on Fwd. Axle  
**Wheel Equipment** Cast Spoke  
**Rim** 7.5" [191 mm]

**REAR AXLE (Continued)**

**Tires (Duals), Size** 10.00-20, 12 Ply  
**Tread** Standard Highway  
**Vendor** Factory Option

**AIR/BRAKE**

Dual Air Brake System  
Air Reservoirs -  
Two, One Dual Compartment Primary/Secondary Tank  
Mounted Outside RH Frame Rail Behind Cab & One  
Supply Tank Mounted Inside RH Frame Rail Behind  
Cab  
Capacity - 8.790 in<sup>3</sup> [144 l]

**Semi-Trailer Connection Package**

**Air Brake Grouping**  
Hose Tender  
10-Ft. [3.0 m] Air Hose (2)  
Glad Hand (2)  
Glad Hand Storage Bracket (2)  
(B.O.C. - LH - Ground Reachable)

**Breakaway Safety Valve**

**Electrical Grouping**  
10-Ft. [3.0 m] (7-Wire) Cord  
7-Wire Plug

**ELECTRICAL**

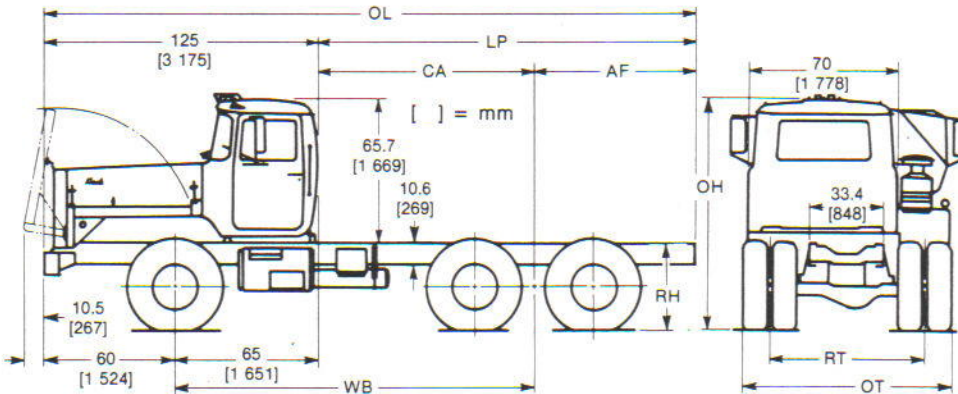
Chassis Electrical  
Negative Ground  
12-Volt Electrical Circuits and Bulbs  
Circuit Breakers  
Rear Lighting, (2) Combination stop,  
tail, directional & back-up lights

**PAINT**

**Cab, Hood and Fenders**  
**Color:** Mack White  
High Gloss Acrylic Enamel  
**Chassis Running Gear**  
**Color:** Mack Black  
Low Luster Alkyd Enamel

**ESTIMATED CHASSIS WEIGHT**

Front - 10,110 lbs. [4 586 kg]  
Rear - 6,627 lbs. [3 006 kg]



TIRE SIZE	OH (APPROX.) Inches [mm]	RH Inches [mm]		FRONT TREAD Inches [mm]	OT Inches [mm]	RT Inches [mm]
		UNLOADED	LOADED			
10.00-20	106.2 [2 697]	40.5 [1 029]	37.8 [960]	80.9 [2 055]	94.9 [2 410]	70.9 [1 801]
10.00-22	107.2 [2 723]	41.5 [1 054]	38.8 [986]	80.9 [2 055]	94.9 [2 410]	70.9 [1 801]
11.00-20	106.8 [2 713]	41.1 [1 044]	38.4 [975]	80.4 [2 042]	96.1 [2 441]	71.2 [1 808]
11.00-22	107.8 [2 738]	42.1 [1 069]	39.4 [1 001]	80.3 [2 040]	96.1 [2 441]	71.2 [1 808]

Chassis dimensions are for standard chassis unless otherwise denoted. Frame heights are subject to variations. 1" [25 mm] unloaded, 0.5" [13 mm] loaded. Illustrations are not necessarily a representation of standard specifications.

This Chassis conforms to all federal requirements applicable at time of manufacture.  
Specifications Subject to Change Without Notice