



MODEL B-20P



DURABILITY to withstand the punishment in urban and suburban service, is incorporated in the new Model B-20P cargo chassis. In this unit are the combined topmost qualities of design, materials and workmanship which have made Mack the leader in profitable long life operation.

An engine of 107 HP that delivers utmost power from present day fuels, an oversized clutch of positive uniform action, a rugged five-speed transmission with long life gears, together with composite rear axle containing graduated heat-treated axle shafts of extremely high torsional strength, are included in this modern medium capacity vehicle. A two-speed rear axle is available as an extra.

Supplementing these long service components are the deep-section pressed steel frame, drop forged I-beam front axle, easy steering and efficient Hydrovac brakes with heat resisting brake drums, all having features which result in unflinching performance and the lowest operating costs.

Driver comfort and safety are paramount characteristics of the new all metal De Luxe cab of extra sturdy construction. Clear vision, insulation against fumes and inclement weather, fresh air ventilation, controls within easy reach, instruments clustered for quick reading and foam rubber seat cushions, make driving safer, easier, more efficient and eliminate fatigue.

Unified design and complete control of manufacture has resulted in a perfectly balanced vehicle, with built-in reserve strength, qualified to resist the rigors of rough work under varied conditions.



MODEL B-20P

STANDARD EQUIPMENT (Cont'd)

Condensed Specifications

TIRES:

Size _____ 8.25-20 (10P)
Rims _____ 6.5, including spare

WHEELS:

Type _____ Steel casting, six spokes

STEERING GEAR:

Model _____ SG 34
Type _____ Twin lever and cam
with roller type lever
shaft studs
Steering wheel, diameter _____ 20"
Ratio _____ 22-18-22 to 1

CAB:

Model _____ CA 21
Type _____ All metal, welded,
unified cab and cowl
Overall width _____ 70 3/4" maximum
(67" at belt rail)

INSTRUMENT PANEL GAUGES: Speedometer, Fuel gauge, oil pressure gauge, ammeter and temperature gauge. Electrical switches.

CHASSIS EQUIPMENT: Painting in synthetic enamel (Mack green, red, yellow or blue) channel type front bumper; recessed sealed-beam headlights and parking lights; combination stop and tail light; electric horn; defroster nozzles; tool kit; rear view mirror; left side.

OPTIONAL EQUIPMENT

Condensed Specifications

WHEELBASES:

158 1/2"	138"
176 1/2"	168"
194 1/2"	194"

Platforms:

ELECTRICAL SYSTEM:

Voltage and capacity _____ 6V., 55 Amp.
Generator, make _____ Delco-Remy

TRANSMISSION:

Model _____ TR 730 (Fuller)
Type _____ Selective, constant mesh
No. of speeds forward _____ Five
reverse _____ One

RATIOS:

Shift	TR 750
5th	0.77
4th	1.00
3rd	1.80
2nd	3.18
1st	6.10
Rev.	5.96

REAR AXLE:

Model _____ RA2D 201
Basic rating _____ 14,000 lbs.
Type _____ Two-speed with
electrically-powered
shift. Control button
attached to gear shift
lever
Construction _____ Forged high-carbon
steel, with "Full
Corner" rectangular
section at spring seats
Axle shafts, material _____ Carbon steel,
heat-treated
Ratio _____ 6.16-8.19 to 1

FRAME:

Reinforcement _____ 1/4" fishplate
No. of cross-members and
type _____
158 1/2" WB _____ Four channel
176 1/2" and 194 1/2" WB _____ Five channel
Section modulus _____ 15.18 (with F/P)

SHOCK ABSORBERS—FRONT:

Type _____ Houdaille, hydraulic

TIRES:

Size _____ 9.00-20 (10P)
Rims _____ 7.0, including spare

WHEELS:

Type _____ Bodd Disc, including
spare

COWL ONLY: Flat face with instruments, including
dashboard, floor board, floor mat, engine hood, fenders,
running board, running board aprons and temporary
driver's seat

*AUXILIARY FUEL TANKS:

Type _____ Mack Safety
Capacity _____ 40 gallons
Location _____ Left side or one each
side

CHASSIS EQUIPMENT: Underframe type carrier (not
available on 146 1/2" WB); 17,000 B.T.U. hot water heater
with defrosters; L.C.C. and marker lights

*Std. spare tank must be omitted

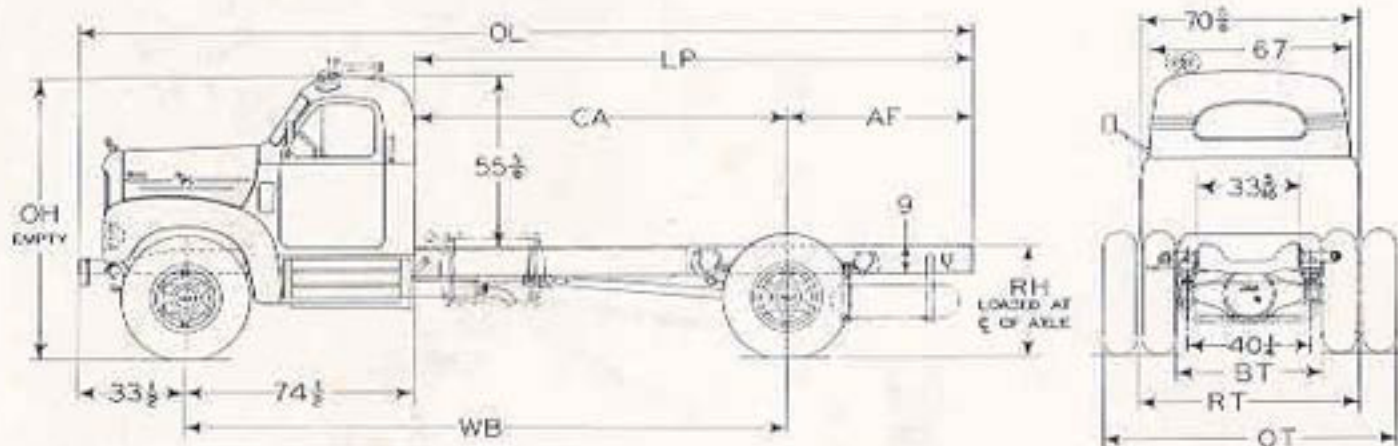
AUTOLIT



Automobile - Truck - Motorcycle 1900 to Present
ORIGINAL Sales Brochures, Manuals, Books, Posters,
Catalogs, and MUCH More. World's largest selection!

MODEL B-20P

CHASSIS DIAGRAM



	WB	146 1/2	158 1/2	176 1/2	194 1/2	Tire Size	OH	RH	OT	RT	BT
WB	146 1/2	158 1/2	176 1/2	194 1/2		8.25-20	90 1/2	35 1/2	88	67 1/2	46 1/2
OL	220	246	276	302							
LP	112	138	168	194							
CA	72	84	102	120							
AF	40	54	66	74							

Note: All dimensions are shown in inches.



MACK MANUFACTURING CORPORATION, NEW YORK, N. Y.

Distributed by

There being no annual or series models of MACK products, refinements and improvements are effected whenever sound development and thorough trial prove them to be advantageous. The right is therefore reserved to change specifications or prices without notice.

PRINTED IN U.S.A.

4-33-1934-G. P.

AUTOLIT



Automobile - Truck - Motorcycle 1900 to Present
ORIGINAL Sales Brochures, Manuals, Books, Posters,
Catalogs, and MUCH More. World's largest selection!