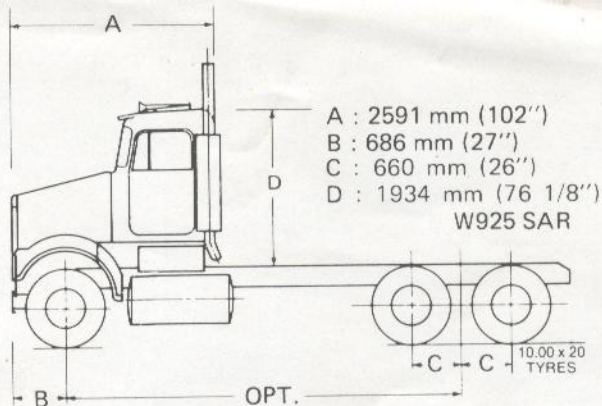


KENWORTH W900 'SAR'



KENWORTH W900 'SAR'



Available as:

- W921SAR 15.8 Tonne (35,000lb) G.V.W.
34.8 Tonne (76,700lb) G.C.W.
- W923SAR 22.7-34.5 Tonne (50,000-76,000lb) G.V.W.
- W924SAR 38.6-90.7 Tonne (85,000-200,000lb) G.C.W.
- W925SAR (Nominal ratings, dependent on application)

Standard specifications:

ENGINE: Cummins NTC350 Turbocharged 261 kW (350 H.P.) at 2100 rpm, by-pass oil filter. Water filter, fuel filter, dual dry type air cleaners, 711mm (28") diameter fan, single exhaust.

RADIATOR: 1200 H5 core, Kombo Grillensor and full radiator shroud.

ELECTRICAL EQUIPMENT: 75 amp alternator, 24 volt starting. Four 6 volt, 19 plate batteries.

TRANSMISSION: Fuller Roadranger RT-12515, 15 speed with 394mm (15½") two plate clutch. SAE # 1 aluminium bell-housing, cast iron case.

DRIVELINE: Spicer 1810 Series, needle bearing universal joints, balanced tubing.

FRONT AXLE: Rockwell FF-931-TW. 5444kg (12,000lb) capacity. Front axle shock absorbers.

STEERING: Power steering. 559mm (22") diameter steering wheel.

REAR AXLE: Depending on model, rear axle is either single drive or dual drive.

BRAKES: Dual line air braking system. Flexible wire braided air piping.

Brake size front: 381 x 102mm (15" x 4")
Brake size rear: 419 x 178mm (16½" x 7")
Spring brake parking brakes on drive axles.

TYRES AND RIMS: Not included in base model specification.

FRAME: Heat treated alloy steel. Dimensions: 257mm depth, 83mm flanges, 8mm thickness (10⅛" x 3¼" x 5/16"), free fit, all bolted construction.

CAB: 2590mm (102") Kenworth conventional cab. Kenworth full tilt hood/fender assembly. Steel frame, aluminium and fibreglass construction. Fully lined and insulated, aluminium bulkhead doors with continuous weather seals and piano type hinges. Laminated windscreen; safety glass throughout (including rear window). Air-ride driver's seat, toolbox rider's seat, interior lights, dual motor air windscreen wipers, windscreen washers, sunvisors, cigar lighter, ashtray, Grover dual airhorns, electric horn, dual exterior heated mirrors. Log book holder. Console Tilt Out Dash.

Instruments: Electronic speedometer and tachometer, fuel gauge, ammeter, oil pressure, water temperatures and air reservoir pressure gauges, low air pressure wig-wag, low oil pressure, high water temperature and low air pressure warning light. Lights: Dual Quartz Halogen headlights, parklights, 5 bus marker lights, 2 clearance lights mounted on mirrors, amber turn signals, stop and tail lights. Kombo air conditioner/demister system, two cab fans, lap/sash belts on both seats, deluxe cab and door trim, digital clock/radio/cassette.

FUEL TANK: Two 280L (62 Imp. Gallon) 622mm (24½") diameter aluminium, mounted under cab.

STANDARD EQUIPMENT: Gullwing aluminium bumper with removable tow hook. Wheel wrench and 12.2 tonne (12 ton) hydraulic jack. Steel battery box, left side mount.

PAINT: Painted to customer's specifications in acrylic enamel (Standard - one color).

Specifications subject to change without notice.
Truck illustrated includes some non-standard items.



KENWORTH

A SUBSIDIARY OF PACCAR INC