

DEFINING TOMORROW

T409



● T409

The T409 has been developed as a flexible and aerodynamic solution for maximum-length on-highway operation. With its athletic stance and sweeping aerodynamic features, the T409 is ideal for general freight or tanker operations. Offering up to 550 peak horsepower, the T409 is the perfect truck for maximum payload single trailer and 26m B-Double combinations with 36" sleeper.



● ADR 80/03 - THE NEW AUSTRALIAN EMISSIONS STANDARD

For the T409 the emission solution employed to meet ADR 80/03 in the 2011 model range powered by Cummins ISX is cooled Exhaust Gas Recirculation (EGR).

Kenworth is introducing a Cummins Particulate Filter as part of the engine package. The Cummins Particulate Filter, which replaces the existing vehicle muffler, reduces particulate emissions by 90% from ADR80/02 levels and is designed to last the life of the engine.

Kenworth's application engineering process has delivered an optimised solution that integrates EGR seamlessly across the high horsepower engine options. So as well as being highly efficient and low maintenance the EGR emission solution has little or no impact on payload and efficiency. Kenworth customers get the emission compliance they need with the proven performance and reliability of engines they know and trust – all with the back up of our renowned local design and manufacturing capability and Australia wide support network.

● EBSS - ELECTRONIC BRAKE SAFETY SYSTEM

At Kenworth, safety has always been a paramount consideration, and we continue to invest heavily in developing a safer working environment for road transport operators and other road users. All 2011 new model Kenworth's will be available with the latest Kenworth EBSS Safety Package. EBSS incorporates a variety of safety features including ABS, Drag Torque Control, Traction Control and ESP.

Kenworth EBSS has been designed to provide a class leading and reliable system for Australasia's unique road conditions and applications, and deliver better peace of mind for all road users. To learn more about these safety systems visit www.kenworth.com.au

NEW DOORS



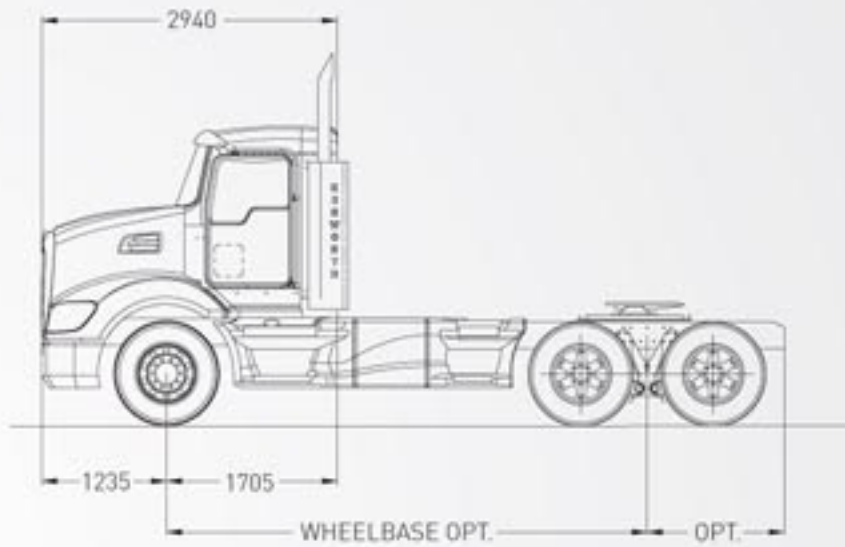
NEW AERO STYLING



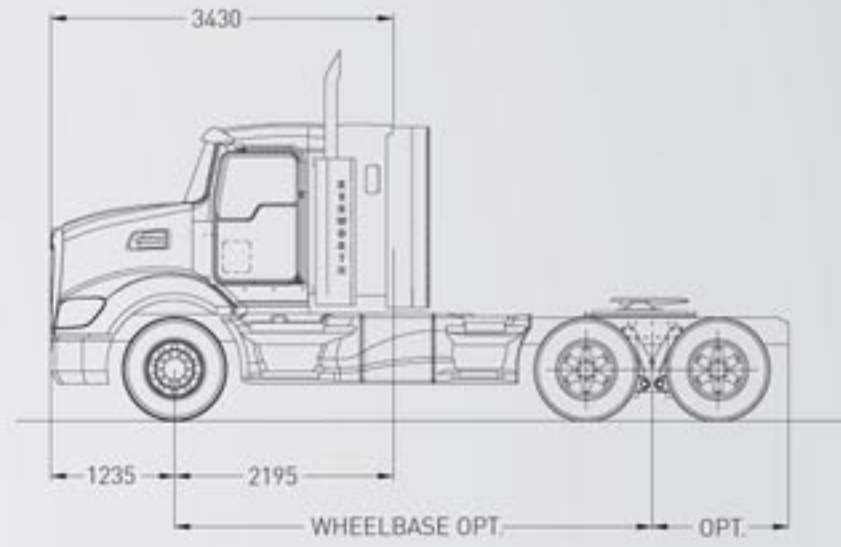
NEW HOOD LIFT ASSIST



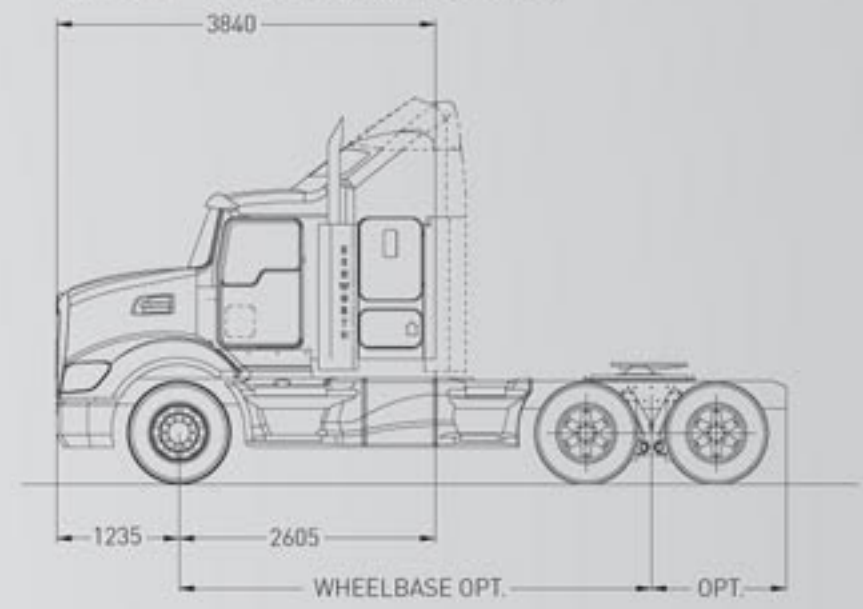
T409 DAY CAB



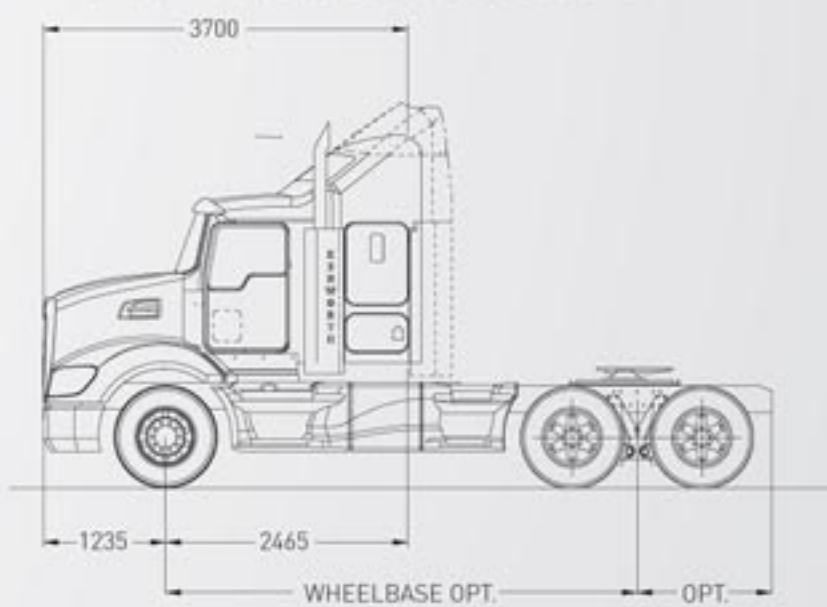
T409 28" IT



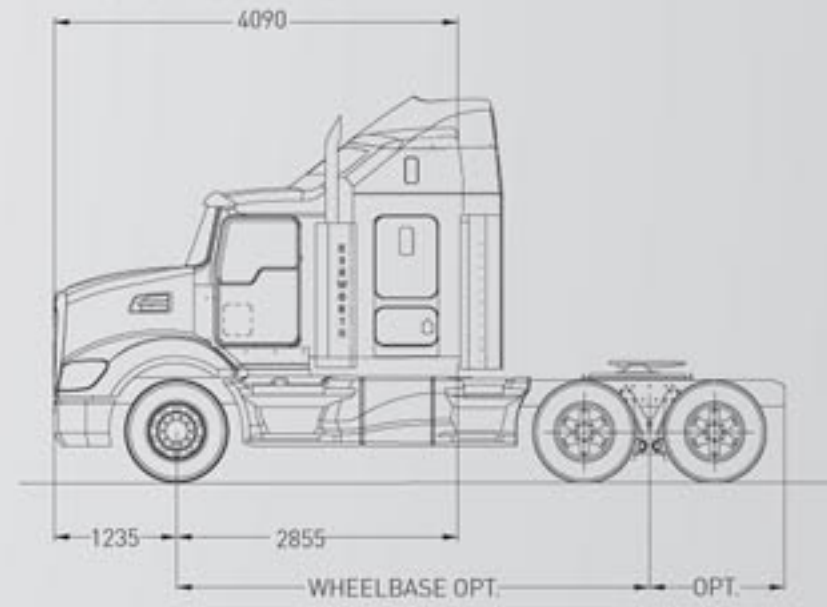
T409 36" FLAT BACK SLEEPER



T409 36" RECESSED BACK SLEEPER



T409 50" SLEEPER



MAIN SPECIFICATIONS AND OPTIONS

CONFIGURATION

- 6X4 **standard**
- 8X4 **optional**

KITS

- FUEL HAUL & GAS HAUL **optional**

ENGINE

- ISX EGR 485HP @ 1650 LBFT TORQUE **standard**
- ISX EGR 485HP @ 1850 LBFT TORQUE **optional**
- ISX EGR 500HP @ 1850 LBFT TORQUE **optional**
- ISX EGR 525HP @ 1850 LBFT TORQUE **optional**

EXHAUST

- DPF MOUNTED UNDER CAB RIGHT HAND FORWARD WITH SINGLE OR DUAL TAIL PIPES **standard**
- DPF MOUNTED IN CHASSIS WITH SINGLE OR DUAL TAILPIPES **optional**

AIR CLEANER

- DONALDSON 2504 AIR CLEANER MOUNTED UNDER HOOD **standard**

TRANSMISSION

- EATON RT016918B **standard**
- Up to EATON RT020918B **optional**
- Up to EATON RT018913A **optional**
- Up to EATON RT020918A-AS3 **optional**

ULTRASHIFT PLUS OPTIONS

- FO-16E318B-MXP **optional**
- FO-18E318B-MXP **optional**
- FO-20E318B-MXP **optional**

FRONT AXLE

- DANA E-1462I **standard**
- MERITOR FG941 **optional**
- MERITOR MFS73 **optional**

REAR AXLE

- DANA DSH40P **standard**
- DANA D46-170 **optional**
- DANA D50 -170 **optional**
- DANA D52 - 190 **optional**
- MERITOR RT40-145 **optional**
- MERITOR RT46-160 **optional**
- MERITOR RT50-160 **optional**
- MERITOR RT52-185 **optional**

REAR SUSPENSION

- KENWORTH AIRGLIDE 400 **standard**
- KENWORTH AIRGLIDE 460 **optional**
- KENWORTH KW6-60A **optional**
- NEWAY AD246/10 **optional**

BRAKES

- DRUM **standard**
- DISC **optional**

WHEELS

- 6 SPOKE **standard**
- ALCOA 10 STUD **optional**

SLEEPER

- 28" IT **optional**
- 36" AERO RECESSED BACK **optional**
- 36" AERO FLAT BACK **optional**
- 36" MID ROOF SLEEPER **optional**
- 50" AERO FLAT BACK **optional**

FUEL TANKS

- 400L 625MM DIA FUEL TANK LEFT HAND FORWARD **standard**
- RANGE OF PACKAGES AVAILABLE **optional**

PAINT

- SINGLE COLOUR TO CAB **standard**
- UP TO 3 COLOURS 6 BREAKS **optional**

GCM

- 80 TONNE LIMIT

THE BEST DEALER NETWORK

Kenworth has built an extensive truck dealer network across Australia that is renowned for its professionalism and excellence in the heavy duty truck industry. The Kenworth dealer network also includes highly qualified dealers in New Zealand and Papua New Guinea.



For more information contact your local Kenworth Dealer or go to www.kenworth.com.au

IMPORTANT: The vehicles shown in this brochure are for illustrative purposes only and may include some non-standard optional equipment. All weights and measurements should be regarded as approximate only. For full details contact your Kenworth Dealer. In the interests of product improvement, Kenworth reserves the right to change these specifications without prior notice.

PACCAR Australia Pty Ltd,
64 Canterbury Road, Bayswater, Victoria 3153

Telephone (03) 9721 1500
Facsimile: (03) 9720 4144

PACCAR



PACCAR
FINANCIAL