

To Move
Rock and Ore
there's more
WORTH in
KENWORTH



BUILT BIG FOR THE JOB!

AUTOLIT.com



Automobile - Truck - Motorcycle 1900 to Present
ORIGINAL Sales Brochures, Manuals, Books, Posters,
Catalogs, and MUCH More. World's largest selection!

KENWORTH

builds to the job!

There is a Kenworth custom-built end-dump with the right capacity for your job—developed in cooperation with contractors and miners to haul rock and ore at lowest cost. Ton for ton, each of these big spring-mounted trucks is engineered in every detail for greater strength, less maintenance and longer life under the most adverse operating conditions. Here are the trucks for which the men in the field are asking.



801

18-TON
12 cu. yds. struck—
14 cu. yds. heaped



803

36-TON
24 cu. yds. struck—
28 cu. yds. heaped





802
802-E } 24-TON
16 cu. yds. struck—
19 cu. yds. heaped



802-B 48-TON
32 cu. yds. struck



FAST and RUGGED



TELESCOPIC HOIST is Kenworth-patented. Fast action both up and down is assured by this single acting, two cylinder, straddle mounted, three stage hoist. Easily removed for service with truck loaded or unloaded. A single-lever, three-position hoist control

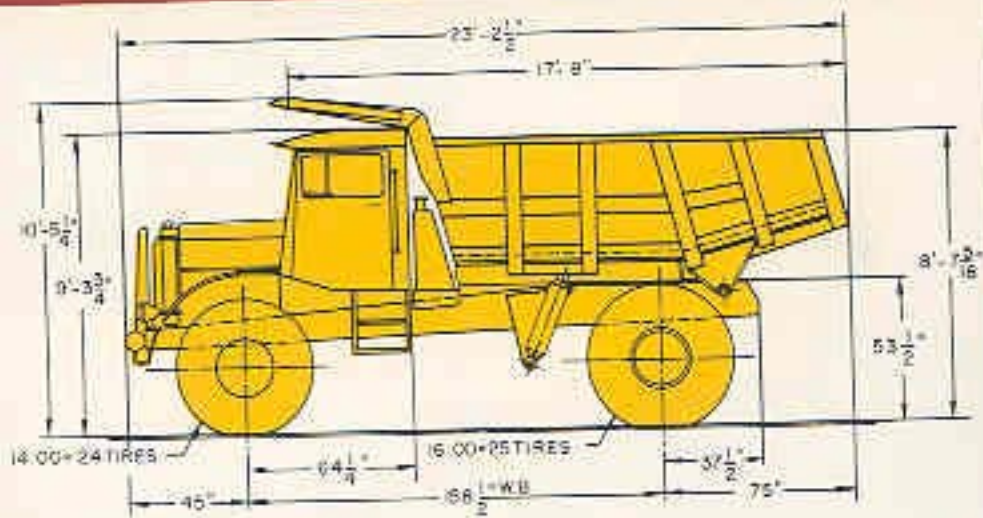


activates a positive-drive, medium pressure pump which operates only during the hoisting cycle. Large reservoir holds 60 or more gallons of oil, insuring ample supply to allow for cooling in use. Dumping angle is 60° or more on all models.



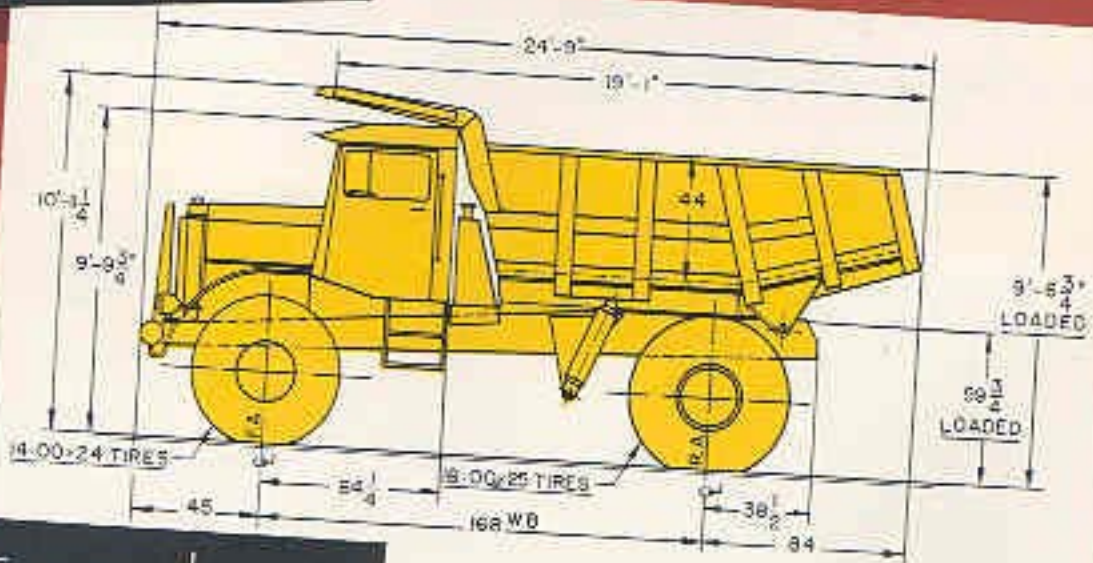
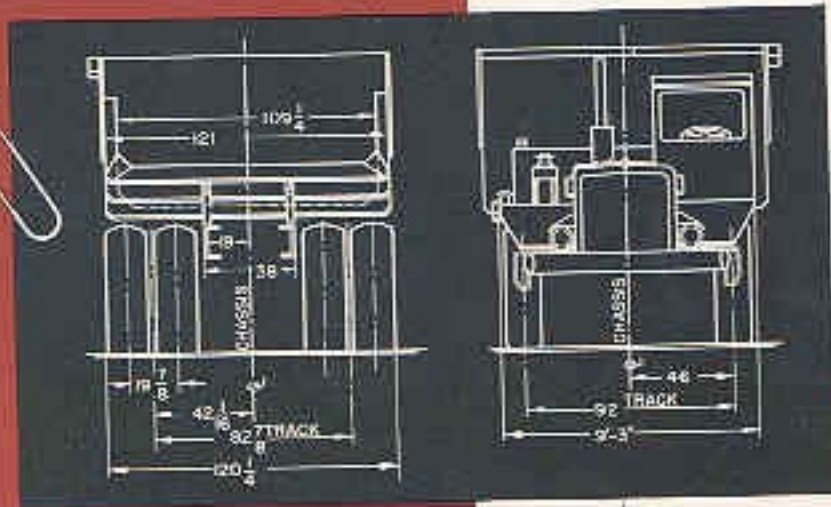
802-B DUMPING ACTION moves the tractor backward and under the trailer, while the entire trailer raises. Kenworth's rugged pin-type construction of the fifth wheel insures excellent stability both in dumping and over the road hauling. A special guide and equalizer stabilizes the body during dumping. The hoist mechanism is the same as on other Kenworth rock and ore movers.





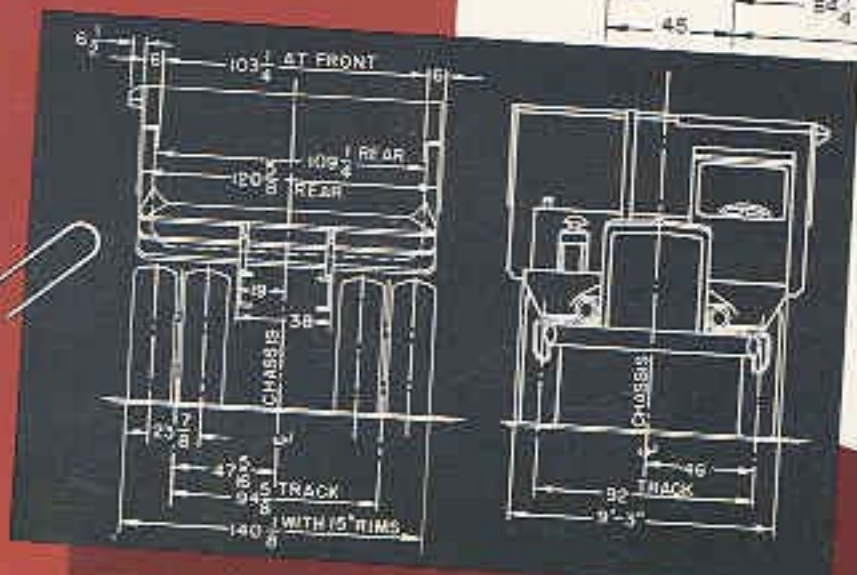
KENWORTH 801

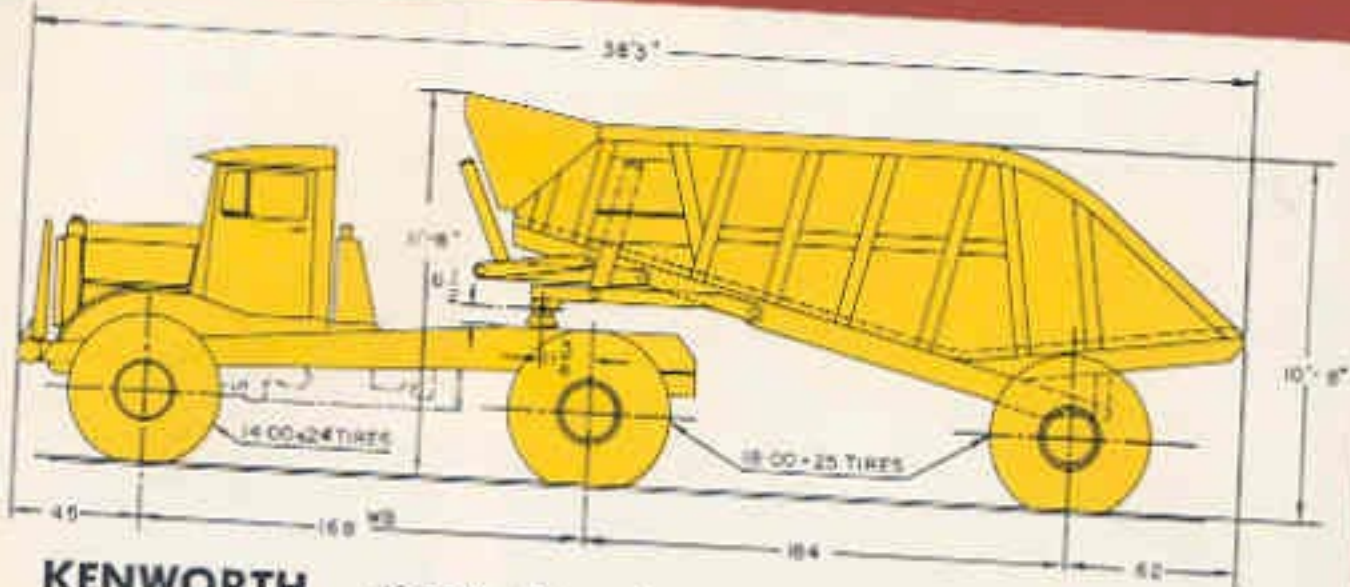
18-TON—12 cu. yds. struck—14 cu. yds. heaped. Chassis weight with hoist and body—37,400 lbs. Turning diameter—62 ft. Dumping angle—67°.



KENWORTH 802 - 802-A - 802-E

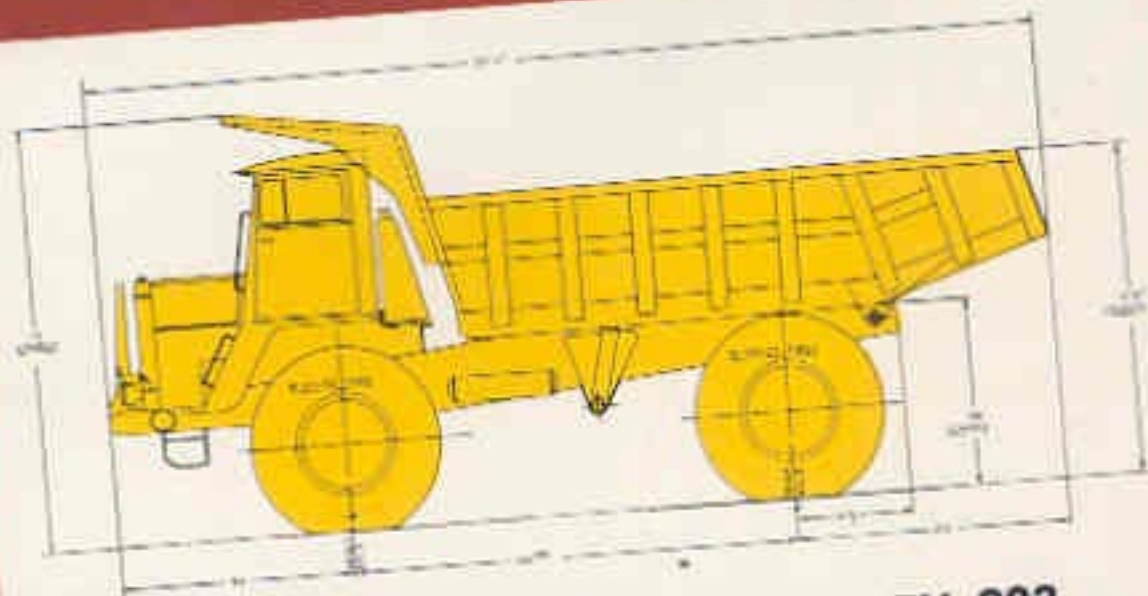
24-TON—16 cu. yds. struck—19 cu. yds. heaped. Chassis weight with hoist and body—44,850 lbs. Turning diameter—66 ft. Dumping angle—67°.





**KENWORTH
802-B**

48-TON—32 cu. yds. struck. Chassis weight with hoist and body—
73,500 lbs. Turning diameter—66 ft. Dumping angle—60°.



KENWORTH 803

36-TON—24 cu. yds. struck—
28 cu. yds. heaped. Chassis
weight with hoist and body—
69,500 lbs. Turning diameter
74 ft. Dumping angle—60°.

