



m250m
x4

EL VEHICULO MULTIUSOS QUE FACILITA TU TRABAJO
THE TOOL-CARRIER THAT MAKES YOUR WORK EASIER
MULTITASK-GERÄTETRÄGER, DAS FAHRZEUG FÜR DEN HARTEN EINSATZ
LE VEHICULE MULTISERVICE QUI FACILITE TON TRAVAIL

MULTI
Task



www.ausa.com

AUSA Center, S.L.U. ● Ctra. de Vic, Km 2.8 - P.O.B. 194, 08243 Manresa - BARCELONA (ESPAÑA) Tel.: +34 93 874 73 11 E-mail: ausa@ausa.com

ISO 9001 ISO 14001

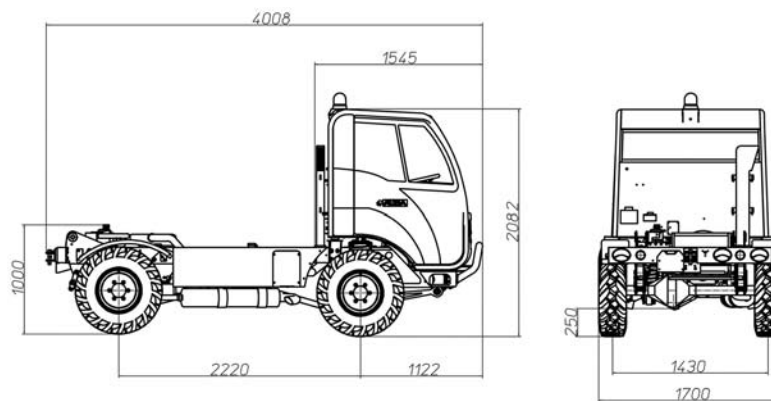


(Sede central AUSA-Manresa)

AUSA Madrid ● Pol. Ind. Coslada-Marconi 15-17, 28823 Coslada - MADRID (ESPAÑA) Tel.: +34 91 669 00 06 E-mail: ausa.madrid@ausa.com
AUSA France ● Z. I. Saint Charles-Rue de Zürich, 66000 PERPIGNAN (FRANCE) Tel.: +33 (0) 4 68 54 38 97 E-mail: ausa.france@ausa.com
UK ● Unit 16 Hollows Works - Shawclough Road - Rochdale - Lancs OL12 6LN (U.K.) Tel.: +44 (0) 1706 64 96 91 E-mail: ausa.uk@ausa.com
AUSA DEUTSCHLAND GmbH. ● Heinrich - Welken Straße 5, 59069 HAMM - RHYERN (GERMANY) Tel.: +49 2385922245 E-mail: ausa.deutschland@ausa.com
AUSA Northamerica Corp. ● 2655 Le Jeune Road - Suite 808, CORAL GABLES FL 33134 (USA) Toll free: 1 800 820 AUSA E-mail: ausa.corp@ausa.com
BEIJING Rep. Office ● Address Room 527, HengXiang Building, Tuanjiehu Nanli, Chaoyang District. - Beijing 100026 CHINA
Tel: 86-10-8597 1983 - Fax: 86-10-8597 1993 - E-mail: ausa.china@ausa.com



M 250 M 2500 Kg



TECHNICAL SPECIFICATIONS

Load capacity (kg)		2500	Gradient negotiable (with full load)	35%	
Hopper capacities (l)	Levelled	1500	Brakes	Hydraulic pump. Front wheels with self-ventilated discs and drum discs on rear wheels (with parking brake)	
	Heaped	2000			
Engine	Make	ISUZU	Steering	Hydrostatic	
	Type	4LE2			
	Power acc. (Kw - Cv)	37.5 / 51 (2700 rpm)	Suspension	Front axle with springs and hydraulic shock absorbers. Rear axle with helycoidal leaf springs and shock absorbers	
	N. of cylinders	4			
	Cooling	Liquid			
Fuel	Diesel	Attack	Obstruction angle	32° (without front plate for attachments)	
Fuel capacity (l)		50	Departure angle	62°	
Transmission		Mechanical, with 5 forward gears and 1 reverse	Weight (Kg)	Unloaded weight	2540
	Ground speed (Km/h)	44		Gross weight	5190
	Traction	4x4 continuous with central differential, COMPEN system		Gross weight per axle	2350 (front axle), 2900 (rear axle)
			Hydraulic delivery	Steering pump 18 l/min. Service pump 34 l/min	

STANDARD EQUIPMENT

Closed cabin with heating	Doors with panning visibility	Rotating beacon	Rough-terrain tyres
---------------------------	-------------------------------	-----------------	---------------------

TRANSPORT

Transport box	Standard box. Dimensions of 1.600 x 2.640 x 300 mm (width x length x height) Short standard box. Dimensions of 1.850 x 2.200 x 300 mm (width x length x height) Loading capacity of 2.500 Kg
Towing	Dimensions: 1.700 x 2.700 x 400 mm (width x length x height) and loading capacity of 3.500 Kg
Trilateral	Standard trilateral: Dimensions: 1.700 x 2.600 x 400 mm (width x length x height) Short standard trilateral: 1.850 x 2.200 x 400 mm (width x length x height) Unloading angles at 3 directions up to 46° and loading capacity of 2500 Kg
Container-holder	Maximum dimensions of the transport loading: 1.220 x 2.400 mm (width x length) and loading capacity of 2.500 Kg (Distance between arms: 1.360 mm)

PACKS



SUPPORT PACK

Palfinger crane with a capacity of 280 Kg. at a height of 8.10 metres.

Optional: Unique homologated crane in the market to be used as elevator-people. Basket with remote control. Able to elevate 1 person and tools (120 Kg) at a working height of 10.7 metres.

MOVEX PLATFORM

Working height: 15m - Load on basket: 200 Kg (2 persons)

Rotation: 360°

Stabilizers: 4

Total weigth of MOVEX device: 1615 Kg



AUSA reserves the right to make any changes in the specifications without prior notice.