



MERCEDES-BENZ  
TRUCKS

# LP 1219

CAB OVER ENGINE TRUCK

GENERAL SPECIFICATIONS  
Effective June 26, 1989

### Weight Ratings

Front GAWR	10,300 lbs.
Rear GAWR	17,200 lbs.
Total GVWR	27,500 lbs.

### Engine

Model	Mercedes-Benz OM 366 LAA Turbocharged and Intercooled
Displacement	364 cu. in.
Configuration	6 cylinder in-line
Maximum Output	190 GR BHP @ 2600 rpm
Maximum Torque	450 GR lbf-ft @ 1400 rpm

### Engine Cooling

Radiator	708 sq. in. frontal area
Fan	6 blade viscous 22.4 in. dia.
Cooling System Capacity	28.4 qts.

### Clutch

Diameter	13.8 in.
Type	Single plate, dry hydraulically actuated

### Transmission

Model	Mercedes-Benz G3/60-5/7.5
Speeds	5 forward speeds fully synchronized
Gear Ratios	1 7.509:1 2 3.986:1 3 2.302:1 4 1.387:1 5 1.000:1 R 6.932:1
Maximum Governed Speed	62 mph @ 2600 rpm

### Front Axle

Manufacturer	Mercedes-Benz
Type	Drop forged I-beam
Rating (GAWR)	10,300 lbs.

### Front Suspension

Type	Semi-elliptical leaf springs with shock absorbers and stabilizer bar
------	--

### Rear Axle

Manufacturer	Mercedes-Benz
Type	Hypoid gear
Ratio	4.875:1
Rating (GAWR)	17,200 lbs.
Ground Clearance	10.6 in.

### Rear Suspension

Type	Semi-elliptical leaf springs with progressively acting auxiliary springs and shock absorbers
------	--

### Service Brakes

Type	Cam-type full air system w/auto slack adjusters at all wheels
Drum Diameter	16.14 in.
Lining Width	Front 4.72 in. Rear 4.72 in.
Lining Thickness	.71 in.
Lining Area	Front 238 sq. in. Rear 238 sq. in. Total 476 sq. in.

### Parking Brake

Type	Pneumatically controlled spring chambers acting on both rear wheels, spring chamber actuated with air release
------	--

### Steering

Type	Mercedes-Benz integral variable assist hydraulic recirculating ball
Ratio	19.3:1 4.5 turns lock to lock
Steering Wheel	22 in. diameter
Steering Angle	48° inside wheel cut
Turning Radius	23.3 ft - 31.1 ft, depending on wheelbase

### Air Cleaner

Type	Dry Donaldson single stage
------	----------------------------

### Fuel System

Fuel Tank	60 gallon, rectangular steel
Filters	Fuel/water separator w/heater and primary and secondary filters

### Air System

Air Compressor	5 CFM* capacity, cam driven
Air Dryer	Wabco, heated
Total Air Reservoir Volume	366 cu. in.

### Electrical

System	12 volt negative ground
Batteries	(2) 625 CCA (BCI Group 3) maintenance free
Starter	12 volt/4 hp Bosch
Alternator	12 volt/90 amp Bosch

### Wheels

Type	10 hole (ISO) steel disc, pilot mounted
Size	22.5 in. x 6.75 in.

### Tires

Type	Tubeless radial ply
Size	10R22.5-12 ply rating

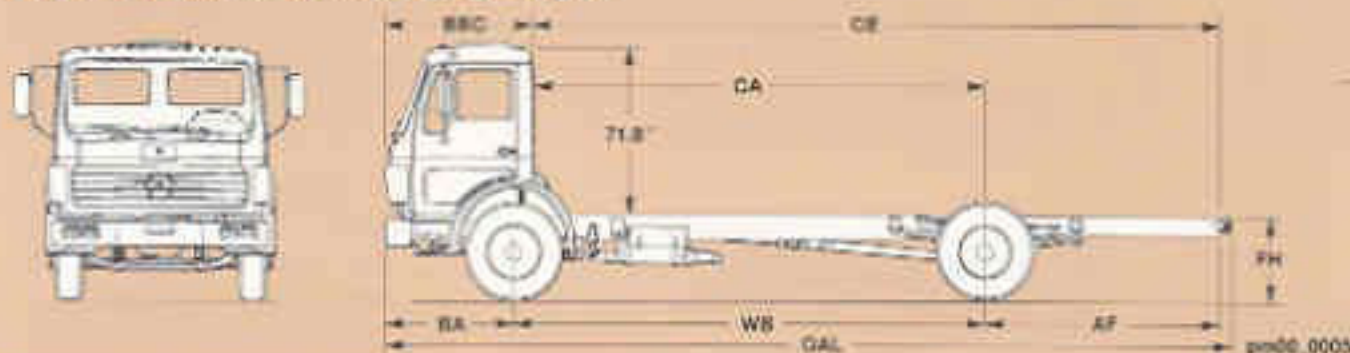
\*at one atmosphere

# AUTOLIT



Automobile - Truck - Motorcycle 1900 to Present  
ORIGINAL Sales Brochures, Manuals, Books, Posters,  
Catalogs, and MUCH More. World's largest selection!

## CHASSIS DIMENSIONS: LP 1219



MODEL/WB	BBC	BA	CA†	CE	AF	OAL	FH		CHASSIS WEIGHTS (lbs.)*		
							Unloaded	Loaded	Front	Rear	Total
LP 121906 (141.7")	61.6"	53.5"	133.4"	192.5"	59.1"	296.3"	43.3"	34.7"	7,125	3,096	10,221
LP 121942 (160.4")	61.6"	53.5"	157.1"	243.7"	66.6"	300.5"	43.6"	34.6"	7,165	2,310	10,481
LP 121948 (160.2")	61.6"	53.5"	181.9"	280.5"	66.6"	324.0"	42.7"	34.3"	7,201	3,415	10,616
LP 121951 (200.5")	61.6"	53.5"	195.2"	291.5"	66.3"	357.3"	43.6"	34.3"	7,238	4,489	10,724

\* Manufacturer's advertised weight of the vehicle curb and chassis in shipping condition, with all standard equipment, fitted with 5/16" x 20" x 2.0" axle and fuel tank without body, payload, driver and passengers.

† Body mounting CA is 14 inches less than total CA to allow for cab/body clearance.

**BBC** - Bumper to back of cab  
**BA** - Bumper to back of front axle  
**WB** - Wheelbase—distance between centers of all front and rear axles  
**CA** - Back of cab to centerline of rear axle  
**CE** - Back of cab to end of frame

**AF** - Centerline of rear axle to end of frame  
**FH** - Frame height

**OAL** - Overall length including tailight measurement

### Important

\* Dimensions given in tables unless otherwise noted. Dimensions given are based on design drawings. Production variations may cause these dimensions to vary. Therefore, it is recommended that the particular model and chassis be reviewed to confirm dimensions. Also, Variable Fuel Height (VFL) dimensions, in particular, may deviate ± 1/2".

### Cab Features

- 61.6 in. BBC all steel construction
- 200° of all-around visibility due to large cab window
- Four-point cab suspension reduces vibration
- Eight-way adjustable driver seat
- Large two-person passenger seat
- Large full-width storage tray behind seat
- Large 2261 in.<sup>2</sup> one-piece windshield
- Windshield wiper cover over 70% of windshield
- Two-speed plus intermittent wiper control
- Two overhead console storage compartments
- Radio installation provision in overhead console
- Efficient heating/defrost system with variable speed blower motor
- Center-mounted dome light
- Full complement of dash gauges and controls which include speedometer, tachometer, coolant temperature gauge, engine oil pressure gauge, fuel gauge, primary and secondary air reservoir pressure gauge, audible HI temperature/O of pressure buzzer
- Hydraulic cab tilt

### Frame Specifications\*

Wheelbase Designation	/35, /42, /48, /51
Frame Rail Material	Steel
Minimum Yield Strength	40,600 psi
Section Modulus (cu. in. per rail)	10.53
Resisting Bending Moment (RBM, lbf in. per rail)	427,520
Width of Frame Assembly	35.6"
Rating	Frame limited to 27,500 lbs. GVWR

\* For additional technical information and dimensions see the Mercedes-Benz Diesel Truck Data Book.

† Corresponds to ASTM A36 structural steel.

### Options

Air conditioning, shock rear springs, spare wheel, block heater, horizontal muffler/vertical exhaust, power take-off, and more. See your Mercedes-Benz truck dealer for details.

### Warranty

36 months/100,000 miles on the engine and powertrain; 18 months/unlimited mileage on the basic vehicle; 24 months/100,000 miles on cab structure and sheet metal; 100% parts and labor. See your dealer for details.

### Parts Support

Includes five strategically located Parts Distribution Centers, a state-of-the-art parts inventory system, and this guarantee: The part you need will be delivered in 48 hours or it's free.\*\*

\*\* Certain limitations apply. See your participating Mercedes-Benz truck dealer for details.

Authorized Dealer



MERCEDES-BENZ  
TRUCK COMPANY, INC.

P.O. Box 3848 Postville, Oregon 97131

Check and recheck items on the specifications sheet to avoid errors. For more complete information and list of publications, Mercedes-Benz Truck Co., Inc. reserves the right to change specifications at any time without notice and without obligation to provide notice.

**AUTOLIT**



Automobile - Truck - Motorcycle 1900 to Present  
 ORIGINAL Sales Brochures, Manuals, Books, Posters,  
 Catalogs, and MUCH More. World's largest selection!