



VISION *Elite*® — MILITARY LINE-HAUL TRACTOR

BUILT LIKE A MACK TRUCK®



TECHNICAL SPECIFICATIONS—VISION ELITE® CXU613E

Transport Type/ Application:	Tractor, Class A Highway	Fan Drive:	Behr electronic modulating
Engine:	13 Liter, MP8 360 Maxicruise 360HP (269kW), 1360lb/ft torque (1844Nm) Mack Powerleash Engine Brake V-MAC IV Electronics System Pedigreed Protection Plan	Electronics:	Co-Pilot driver display w/ 4 button control stalk GuardDog routine maintenance monitoring system
Wheel Configura- tion:	6x4	Air System:	Meritor/Wabco Air Dryer
Fuel Capacity:	Left Hand – 93gal (352L), steel	Mirrors (side):	Aerodynamic body colored
Driveline:	Dana/Spicer Heavy Duty	Lighting:	Halogen flush headlights Flasher type signal lights Body marker lights
Transmission:	Eaton-Fuller Autoshift, 10 speed	Starter:	12V, Gear reduction
Brake System:	Meritor "S" Cam Q-Plus, 16.5x5 Cam-front Meritor Heavy Duty Q-Plus, 16.5x7 Cam-rear Bendix ABS, 4S/4M system	Batteries (3):	Mack 12V, 1000 cold cranking amps (CCA)
Front Axle/ Suspension:	Mack FXL14.6 (wide pivot center) 14,600lb (6,600kg) rating Taperleaf spring suspension, axle-back position	Cab Interior:	4 dome lights Dual auxiliary power outlets 3 overhead storage bins with netting Wood grain dash panel Dual fire extinguishers
Rear Axle/ Suspension:	Meritor RT46160 (single reduction) 46,000lb (20,900kg) rating Mack air suspension, 4.30 carrier ratio	General Sleeper Specifications:	70" (177.8cm) Mack high-rise sleeper box Dual 80" (203.2cm) mattresses Multiple lighting and storage locations Tinted windows with privacy curtain Dual auxiliary power outlets
Front/Rear Tires:	Michelin XZY3 12R22.5 (All position)	Alternator:	12V, 160 Amp, brush type
Frame:	9.5mm x 300mm x 90mm tempered steel section 233" (592cm) wheelbase 224" (569cm) platform 56" (142.25cm) overhang	Paint:	Chassis– urethane base coat, Mack black Cab exterior– single color, Desert Tan
Driver Seat:	Air, Bostrom Talladega 915 (mid-back)	Clutch:	Spicer Solo 15.5" (39.37cm) Ceramic Automatic adjusting with air assist
Passenger Seat:	Mack Fixed (mid-back)	GCW:	110,000 lbs (49,896kg)
Fifth Wheel:	Holland FW2570, manual slide, w/ 3.5" (8.89cm) Kingpin	GVW:	60,600 lbs (27,488kg)
		Spare Tire:	Spare tire/carrier on RH frame rail

CUSTOMIZED OPTIONS AVAILABLE TO MEET MISSION REQUIREMENTS



VISION

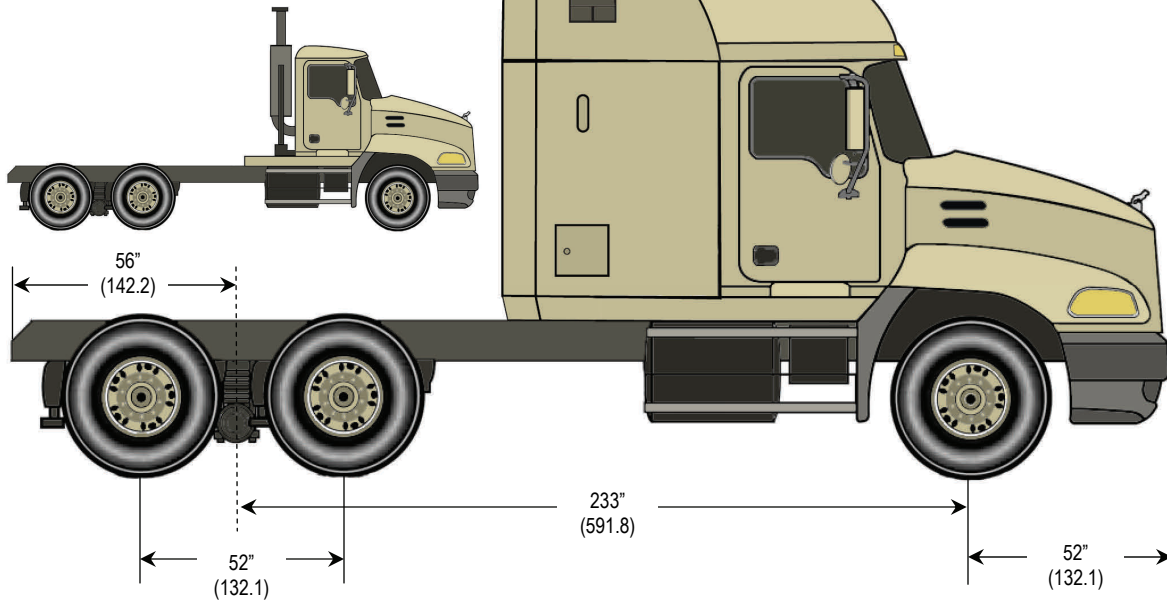
Elite[®]

MILITARY LINE-HAUL TRACTOR

BUILT LIKE A MACK TRUCK[®]

CXU613E CHASSIS SPECIFICATIONS

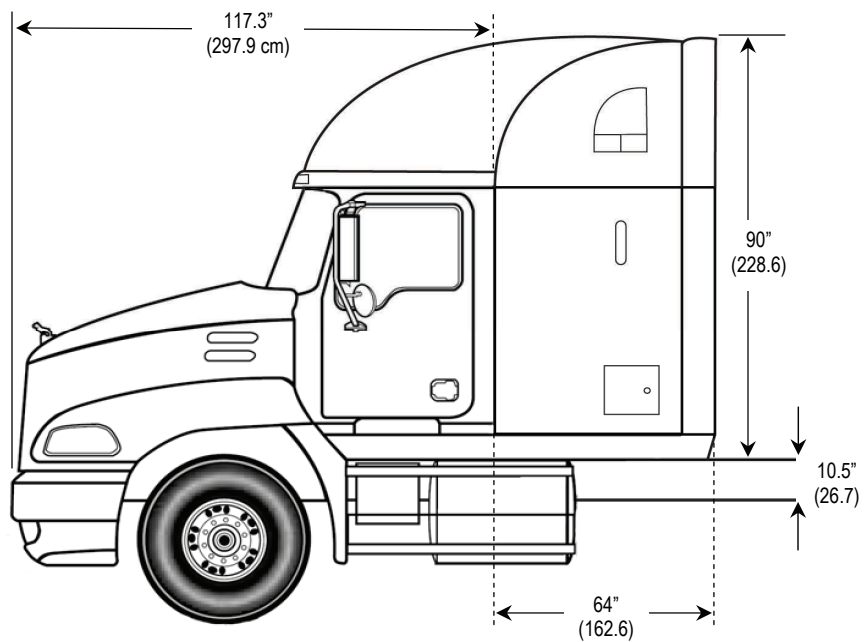
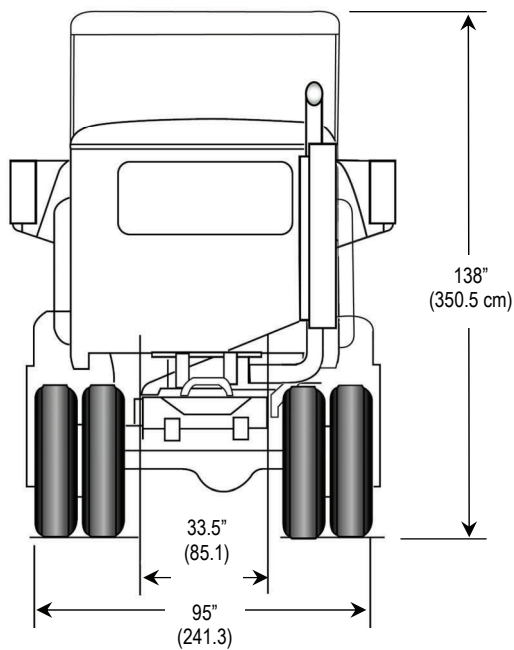
Vision Elite tractors have numerous available models, from an economical day-cab to a spacious 70" (177.8cm) high-rise sleeper, and everywhere in between.



Vision Elite interior. (options shown)

Standard Sleeper Features

- Roomy 70" (177.8cm) sleeper box
- Two 80" (203.2cm) foam mattresses
- Tinted sliding windows
- Passage-way privacy curtain
- Multiple storage and lighting locations



CUSTOMIZED OPTIONS AVAILABLE TO MEET MISSION REQUIREMENTS

For more information:
 Mack Government/Military Office
 320 King Street, Suite 301
 Alexandria, VA 22314
 Tel: (703) 683-7010 Fax: (703) 548-1337
 MackMilitary@macktrucks.com



www.mackmilitary.com

©2009 Mack Trucks, Inc. All rights reserved. Mack, Mack and the Bulldog design, Vision Elite, Taperleaf, and MP8, are trademarks of Mack Trucks, Inc. All other trademarks are the property of their respective companies.