





DURABLE AND STYLISH. NO WONDER IT'S ONE OF THE MOST POPULAR TRUCKS ON EARTH.

The Mack® Granite® represents a milestone in vocational truck engineering. From its stronger frame specially designed for the harsh work of the jobsite to its powerful and fuel efficient MP™ engine, this truck delivers all the muscle you need. And with a cab that delivers unmatched comfort, the Mack Granite makes life easy behind the wheel to help you boost profits.



EVERYTHING YOU NEED TO TAME TOUGH JOBSITES.

The Mack Granite comes in two configurations — axle-forward and axle-back — but either way these trucks are amazing feats of engineering equipped with a number of features to help you run economically. The axles are designed to distribute weight evenly for optimum performance. Flexible fender extensions are positioned over the top of the wheels to protect the hood and control splashing. A three-piece stylized front bumper makes replacement quick and cost efficient. The headlamp covers are made from durable Lexan® to handle the punishment of a rocky jobsite better than glass-sealed beam lights.



GRANITE REAR LOADER



GRANITE DUMP



GRANITE TANDEM MIXER



GRANITE ROLLOFF



GRANITE DUMP WITH LIFT AXLE

A TRUE SANCTUARY FOR DRIVERS.

Granite has a spacious cab that defines comfort. Its ergonomic design gives drivers plenty of leg, belly and headroom. The driver's seat is wide and comfortable, and easily adjusts to cradle any body size. Air-suspended cab mounting protects drivers from harsh, rough roads. Getting in and out of the cab is nearly effortless thanks to the strategically placed steps and grab handles. The Granite interior is easy to clean — from the tough, paw-print signature floor mat to the beautiful dash. And it features best-in-class cab lighting that reduces dangerous glare as its four-point lighting illuminates key spots in the cab.

GREAT CAPACITY FOR STORAGE.

There's a place in the cab for all your stuff. A roomy overhead console is divided into three overhead storage compartments — with netting to better hold your belongings. The center overhead compartment gives you the option to mount a CB radio. Drivers will find a large dispatch box in the rear panel for more storage, as well as a specially designed peg to hang a trash bag. Large cup holders are easy to reach and positioned a safe distance from electronics in case of spills.

PEDALS DESIGNED TO SAVE YOU ENERGY.

The pedals on the Mack Granite are suspended above the cab floor with the accelerator and brake pedals mounted in-line to reduce operator effort while driving. The clutch pedal is available with air assist, lowering the pedal and greatly reducing driver effort. When combined with our new deep cab and strategically placed seat and steering column, drivers conserve energy and work more productively.



GUIDING YOU TOWARD GREATER PROFITABILITY.

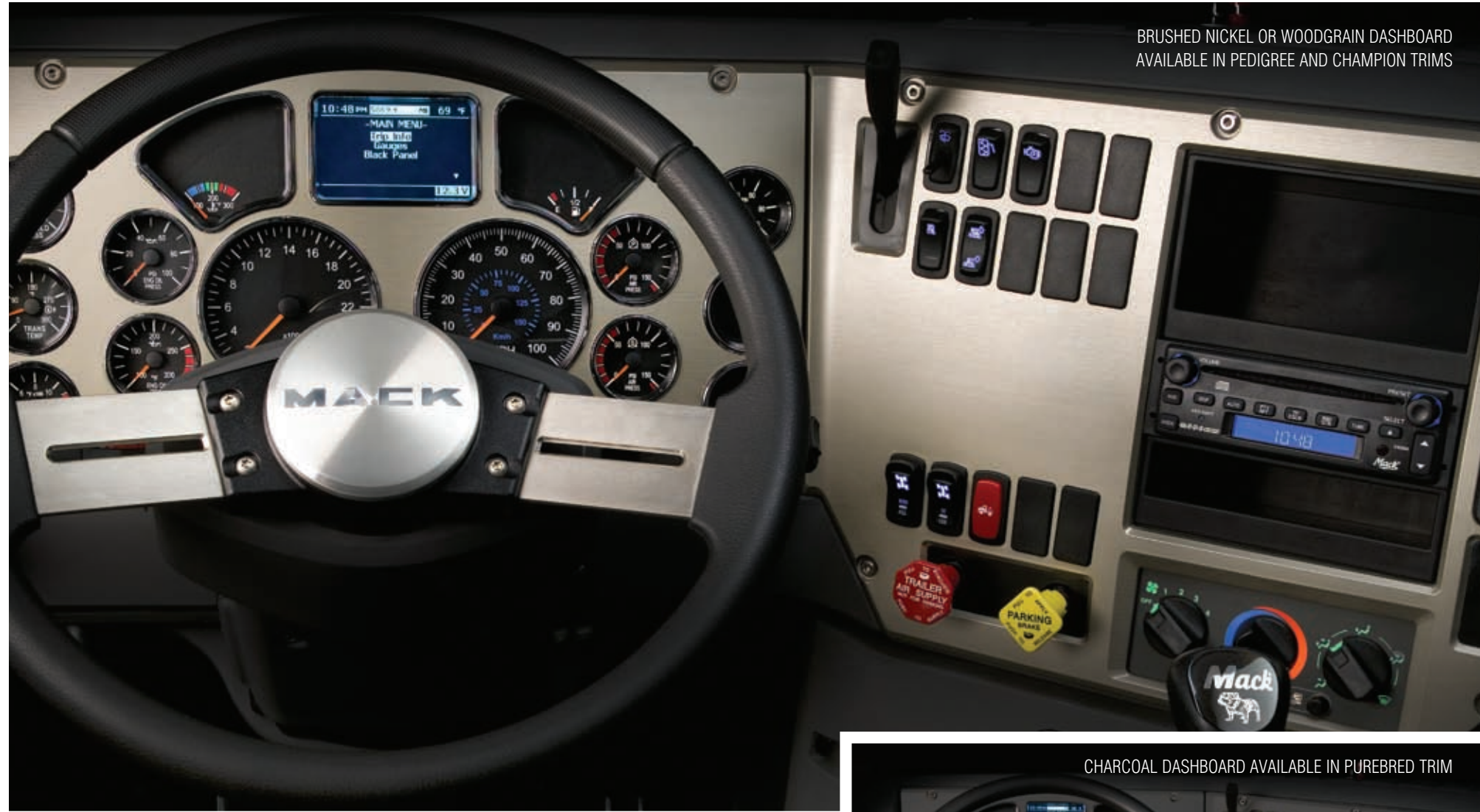
Granite features the optional Co-Pilot™ driver information display. Mounted high and centered in the dash for easy reading, this large display sets the industry standard. Drivers can easily toggle through a four-button steering-column stalk. This innovative display has 50 screens that provide real-time fuel economy and trip data, detailed maintenance and fault summaries, and supplemental sensor readings. Co-Pilot allows you to equip your truck with specialized features like Theft Deterrence, the Mack Fuel Economy Incentive Program and GuardDog™.

DRIVING INFORMATION.

Electronics offer both drivers and managers a way to boost productivity. The Mack Granite has our time-tested and road-proven Vehicle Management and Control System or V-MAC® IV. This next-generation of advanced electronics gives you greater control of your costs and lets you monitor your truck and engine better than ever. In addition to over a hundred proven programmable features, V-MAC IV adds a host of new items, including ABS-based tamper detection, integrated starter protection and programmable daytime running light overrides. V-MAC IV electronics comes with DataMax™, an advanced trip recorder that captures vehicle trip histories, duty cycle information and scheduled maintenance intervals.

PUT THE STEERING WHEEL WHERE YOU WANT IT.

The steering wheel allows for unrestricted placement to give drivers a clear view of all gauges. And by simply pressing the quick-release foot pedal the steering column can be adjusted for optimal comfort.



BRUSHED NICKEL OR WOODGRAIN DASHBOARD AVAILABLE IN PEDIGREE AND CHAMPION TRIMS



CHARCOAL DASHBOARD AVAILABLE IN PUREBRED TRIM

A WELL-DESIGNED DASH IS WITHIN REACH.

Sitting in the driver's seat of the Granite is a lot like sitting in a cockpit. The dash wraps around so all switches and controls are closer to the driver. There's no stretching, so there's less fatigue. Lighting controls can be reached from the ground to facilitate pre-trip inspections. The standard instrument cluster has been enhanced to include integrated gauge warning lamps, an engine oil temperature gauge, a digital voltmeter and a water-in-fuel indicator. A large, easy-to-read, standard driver display features an odometer, maintenance indicator, hour meter, Sweet Spot indicator and an ambient temperature gauge to name a few.

TRIM LEVELS

In designing the interior of the Granite, we set out to create a true sanctuary for drivers. From the finish on the dash to the style of the steering wheel and a trio of optional trim levels, we worked hard to create an array of choices that fit your style.

CHAMPION

The Champion package comes in a Flagstone cloth pattern. It features a two-spoke chrome steering wheel with stitched-leather grip.



PEDIGREE

The Pedigree package comes in a Diamond Plate cloth pattern. It features a two-spoke brushed nickel steering wheel with a firm-grip feel.



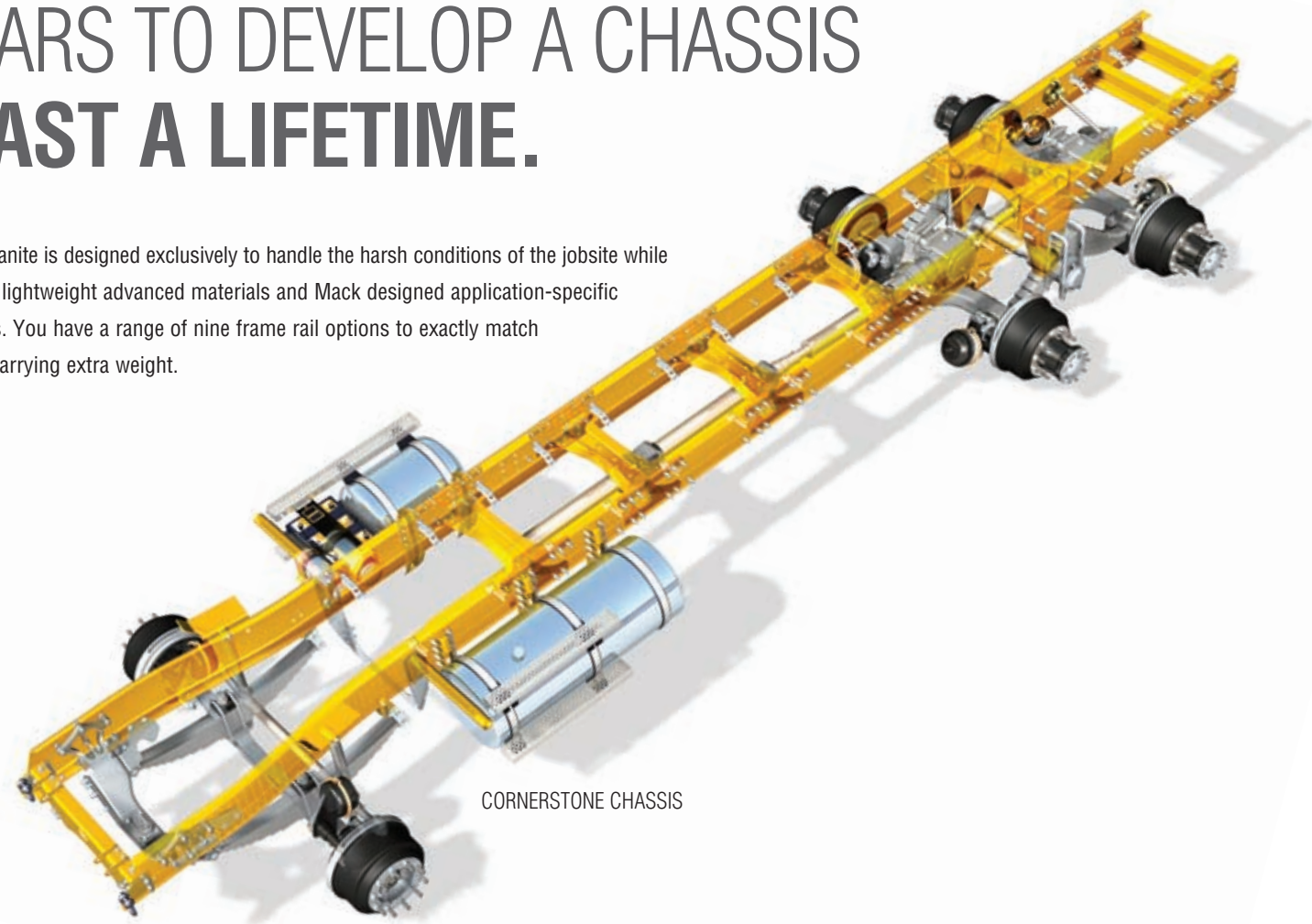
PUREBRED

The Purebred package features a two-spoke charcoal steering wheel with a firm-grip feel.



IT TOOK US YEARS TO DEVELOP A CHASSIS THAT WILL LAST A LIFETIME.

With the durable Cornerstone™ chassis, the Mack Granite is designed exclusively to handle the harsh conditions of the jobsite while delivering unsurpassed efficiency. The chassis uses lightweight advanced materials and Mack designed application-specific crossmembers that can carry the heaviest payloads. You have a range of nine frame rail options to exactly match your needs. Get all the strength you need without carrying extra weight.



CORNERSTONE CHASSIS



A FRAME THAT'S UP TO THE CHALLENGE.

Mack has plenty riding on its Cornerstone chassis. Components were tested for fatigue. The rails and crossmembers were stressed and relentlessly checked for endurance. Trucks using the Cornerstone chassis were put through punishing off-road courses as well as placed with customers for on-the-job testing. All to ensure the best chassis Mack has ever built.

WORK OFF-ROAD WITH CONFIDENCE.

Soft sand or mud is always difficult terrain for a truck. Now, you can have the convenient, one-touch Central Tire Inflation system factory-installed by Mack. This system gives drivers quick and effortless control of tire pressure on the fly because you get better traction on soft ground as the tire footprint expands and ruts are shallow. Take your truck to places previously inaccessible and work more productively.

SUPPORT AT EVERY TURN.

The chassis is engineered to provide superior maneuvering in tight spaces. The sloped hood and big mirrors give drivers excellent visibility. The reinforced cab is extremely durable — built to survive thousands of hours of punishment without losing its integrity. Drivers can work more comfortably thanks to large, outboard-mounted air springs that provide cushioning, stability and reduced vibration. Optimal headlight placement and perimeter lighting give drivers the confidence to work in the most treacherous jobsites day or night.

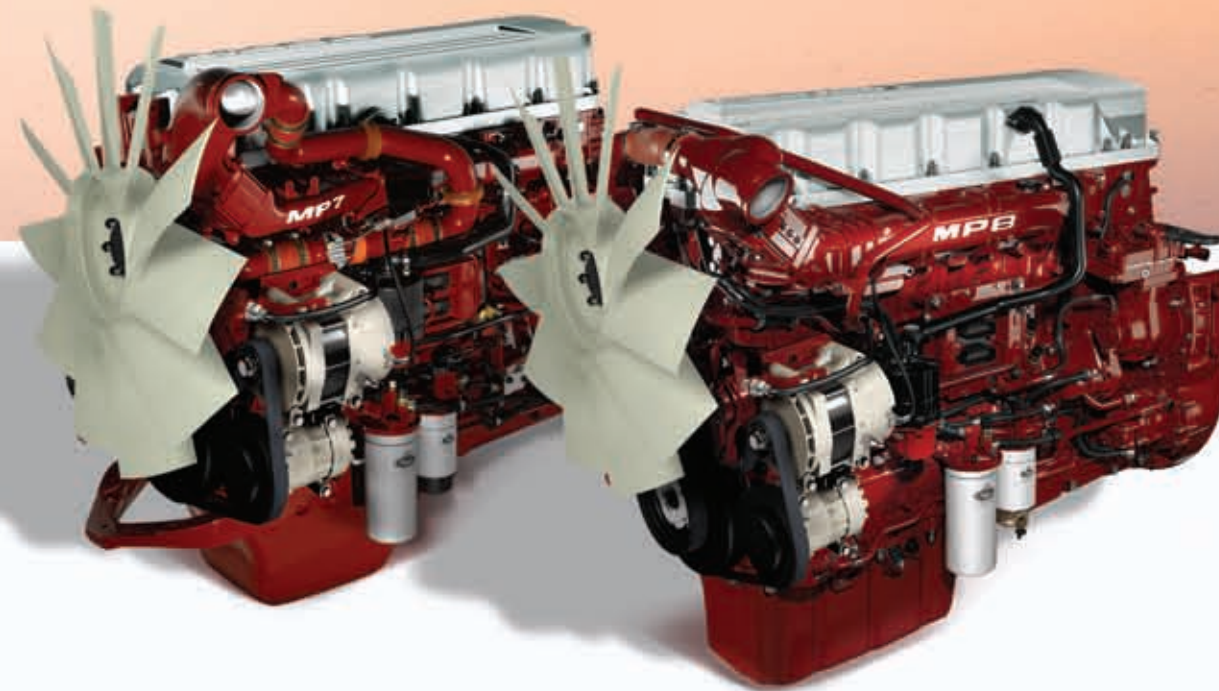
CONNECT A BODY IN A SNAP. LITERALLY.

Mack components — step brackets, air tanks, exhaust stacks and battery boxes — are positioned forward of the rear of the cab. This ensures body compatibility while eliminating the high cost of relocating components. The Granite features BodyLink™ wire harness connectors, conveniently located for quick body hookup. A dash-mounted lamp signal instantly indicates a dump body or load hopper that is not properly seated.



THESE ENGINES ARE ALL MUSCLE.

The MP Engine Series is the heartbeat of the Mack Granite. These engines deliver plenty of horsepower plus great low-end torque. The MP7 has a horsepower range from 325 HP to 405 HP and the MP8 provides 415 HP to 485 HP. MaxiCruise® and Maxidyne® engine families cover any vocational application. The MP engines feature a 300-hour or 16,000-mile (whichever comes first) oil drain interval and plenty of extras that make servicing a cinch. In short, you'll get all the muscle you need to conquer the road.



BUILT TO EXCEED EXPECTATIONS.

The Mack MP engines impress mile after mile. These state-of-the-art engines have a single overhead cam with ultra-high-pressure fuel injection. The electronically controlled Variable Geometry Turbocharger incorporates the latest technology to cool both the turbo and the actuator. They are designed with fewer parts, including one-piece steel pistons and stronger bearings and cylinder heads, giving operators a true powerplant that's built to last.

MAXIDYNE®	
ENGINE	HP
MP7	325M
MP7	365M
MP7	405M
MP8	425M
MP8	455M
MP8	485M
ENGINE TORQUE LEVELS	
MP7: 1,200–1,480 lb.-ft.	
MP8: 1,540–1,700 lb.-ft.	

MAXICRUISE®	
ENGINE	HP
MP7	345C
MP7	365C
MP7	395C
MP8	415C
MP8	445C
MP8	485C
ENGINE TORQUE LEVELS	
MP7: 1,350–1,560 lb.-ft.	
MP8: 1,560–1,660 lb.-ft.	

MOVING FORWARD

We have built durable trucks and powerful engines for generations. And it's these experiences that make us not only experts in engine development, but true visionaries in bringing integrated powertrains to market. Mack remains at the forefront of engine development, incorporating selective catalytic reduction (SCR) technology into our MP engine platform for 2010. So as new technologies emerge, you can trust Mack will lead the way with reliable, practical solutions for years to come.

ENGINE: MACK MP7 OR MP8	
Horsepower and Torque	
MP8 – 13 Liter With 415 To 485 HP And Torque Ratings From 1,540 To 1,700 ft.-lbs.	
MP7 – 11 Liter With 325 To 405 HP And Torque Ratings From 1,200 To 1,560 ft.-lbs.	
Mack PowerLeash Engine Brake – (MP7 – 420 HP At 2,100 RPM / MP8 – 425 HP At 2,100 RPM)	
REPTO (Rear Engine Power Takeoff) – SAE 1350	
V-MAC IV – Total Vehicle Electronics	
Air Compressor – 18.5 cfm / 37.4 cfm	
Mack Coolant Conditioner	
Diesel Particulate Filter – Back Of Cab (Behind Cab) Or Mack Cap (Passenger Side Under Step)	
Single Or Dual Vertical Exhaust	
Silicone Engine Hoses And Tubing	
Poly-V Fan Belt With Automatic Tensioner	
Fan Drive, Electronically Modulated Multi-Speed Viscous / On-Off	
Flywheel Housing – Aluminum (Lightweight)	
Radiator – Aluminum Core	
Electronic Starter Interlock	

TRANSMISSIONS		
Clutch – Self And Manual Adjusting		
Air Operated Clutch Assist Pedal		
Transmission Bell Housing – Aluminum Or Iron		
PTO (Power Takeoff) Up To Six Openings, SAE 6 + 8		
Transmissions*		
Mack TM308 Maxitorque® ES Shift Triple-Counter Shaft	8 Speed	17.77 / 0.71 Ratio (Low/High)
Mack TM308M Maxitorque ES Shift Triple-Counter Shaft	8 Speed	17.77 / 0.71 Ratio (Low/High)
Mack TM309 Maxitorque ES Shift Triple-Counter Shaft	9 Speed	25.21 / 0.71 Ratio (Low/High)
Mack TM309M Maxitorque ES Shift Triple-Counter Shaft	9 Speed	25.21 / 0.71 Ratio (Low/High)
Mack T309 Maxitorque ES Shift Triple-Counter Shaft	9 Speed	11.40 / 0.71 Ratio (Low/High)
Mack T309(LR) Maxitorque ES Shift Triple-Counter Shaft	9 Speed	13.93 / 0.71 Ratio (Low/High)
Mack T310 Maxitorque ES Shift Triple-Counter Shaft	10 Speed	13.81 / 0.73 Ratio (Low/High)
Mack T310M Maxitorque ES Shift Triple-Counter Shaft	10 Speed	17.35 / 0.73 Ratio (Low/High)
Mack T310ME Maxitorque ES Shift Triple-Counter Shaft	10 Speed	17.35 / 0.73 Ratio (Low/High)
Mack T310MLR Maxitorque ES Shift Triple-Counter Shaft	10 Speed	27.31 / 0.71 Ratio (Low/High)
Mack T313 Maxitorque ES Shift Triple-Counter Shaft	13 Speed	13.44 / 0.74 Ratio (Low/High)
Mack T313LR Maxitorque ES Shift Triple-Counter Shaft	13 Speed	16.42 / 0.71 Ratio (Low/High)
Mack T318 Maxitorque ES Shift Triple-Counter Shaft	18 Speed	13.44 / 0.71 Ratio (Low/High)
Mack T318LR Maxitorque ES Shift Triple-Counter Shaft	18 Speed	16.42 / 0.71 Ratio (Low/High)
Allison – EVS Or RDS	5 Speed	3.51 / 0.74 Ratio (Low/High)
Allison – EVS Or RDS	6 Speed	3.51 / 0.74 Ratio (Low/High)
Eaton® Fuller® RoadRanger Twin Counter Shaft	9 Speed	12.57 / 0.73 Ratio (Low/High)
Eaton Fuller RoadRanger Twin Counter Shaft	10 Speed	12.69 / 0.74 Ratio (Low/High)
Eaton Fuller RoadRanger Twin Counter Shaft	11 Speed	26.08 / 0.73 Ratio (Low/High)
Eaton Fuller RoadRanger Twin Counter Shaft	13 Speed	12.31 / 0.73 Ratio (Low/High)
Eaton Fuller RoadRanger Twin Counter Shaft	15 Speed	13.31 / 0.79 Ratio (Low/High)
Eaton Fuller RoadRanger Twin Counter Shaft	18 Speed	14.40 / 0.73 Ratio (Low/High)

*Other Supplier Transmissions Available

ELECTRICAL	
12-Volt Electrical System	
Battery Box – Steel With Molded Plastic Cover Mounted LH Rail	
Courtesy Light Switch – Headlamp And Clearance	
Daytime Running Lights	
Electric Circuit Protection Package	
Waterproof Electrical Connections	
Headlights – Halogen Flush With Replaceable Bulbs	
Step-Mounted LED Work Lights	

AIR/BRAKE	
Dual Air Brake System	
Anti-Lock Brake System With Or Without Traction Control	
Mack Road Stability Advantage System	

CAB INTERIOR / EXTERIOR SPECIFICATIONS	
Air Conditioner With Integral Heater And Replaceable Filter	
Air Cleaner With Restriction Monitor	
Cab Mounting – Four-Point System With Two Air Bags And Canted Shocks	
Interior Lighting, 2 Lamps LH / 2 Lamps RH	
Galvanized Steel Visibility Doors With Passenger Peep Window	
Keyless Entry	
Floor Mats – Polyurethane Mack Signature Pawprint	
Grille – Silver Painted Or Bright Finish With Or Without Grille Surround	
Hood And Fenders – Fiberglass, Camoplast	
Identification And Clearance Lights (5)	
Co-Pilot Driver Display	
Instrument Panel – Brushed Nickel, Woodgrain Or Charcoal	
Exterior Mirrors – Bulldog Stylized Or Aerodynamic Mirrors Available Lighted / Heated / Motorized	
Parking Brake On Indicator Light	
Overhead Console, 2 Storage Compartments With Net Retainers	
12-Volt Auxiliary Power Outlets (2) – Dash Mounted	
AM/FM Stereo CD With Weather Band – Premium Radio Package Available	
Driver Seat – Bostrom® Talladega® 915 Mid-Back Air Suspension	
Rider Seat – Mack Fixed Mid-Back Non-Suspension	
Steering Column – Adjustable Tilt And Telescopic	
Rear Storage Pouch	
Interior Sun Visor – Full Width	
Exterior Sun Visor – Bright Finish Or Painted	
Windshield – Safety Tinted 2-Piece	
Safety Tinted Side And Rear Windows	
Intermittent Windshield Wipers	
Paint – Custom Color Available For Cab, Chassis And Wheels	



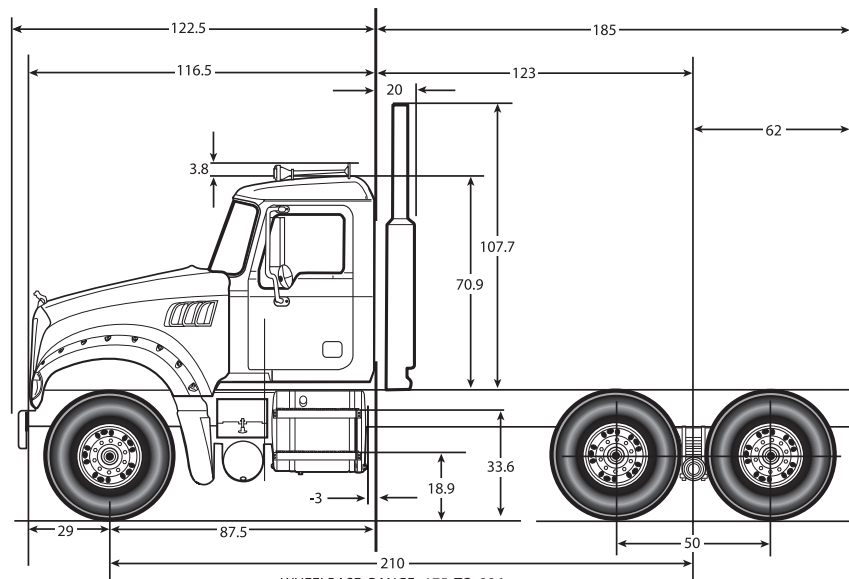
FRONT AXLE AND SUSPENSION	
Mack UniMax™ Axles With Integrated Hub	
12,000, 14,600, 18,000, 20,000 And 23,000 lb. Capacity	
Hub Material – Ferrous Or Aluminum	
Inbound Cast Or Outbound Cast Centrifuse	
Brakes – Meritor® “S” Cam Q-Plus With Or Without Dust Shields (16.5 x 6)	
Slack Adjusters – Automatic	
Suspension – Mack Taperleaf 12,000 – 23,000 lb.	
Suspension – Mack Multileaf 12,000 – 23,000 lb.	
Steering Gear	
Power – 12,000, 12,600 Or 18,000 lb.	
Heavy-Duty – 20,000 Or 23,000 lb.	

REAR AXLE AND SUSPENSION	
Rear Axle	
Bogies – 38,000 – 65,000 lb. Capacity	
Tri-Drive – 69,000 lb. Capacity	
Special Order – 80,000 – 110,000 lb. Capacity	
Carrier	
Top-Mounted Aluminum, Double Reduction	
Power Divider Lockout	
Hub Material – Ferrous Or Aluminum	
Inbound Cast Or Outbound Cast Centrifuse	
Brakes – Meritor “S” Cam Q-Plus With Or Without Dust Shields (16.5 x 7)	
Slack Adjusters – Automatic	
Suspension	
Mack Multileaf (Camelback), Hendrickson® Chalmers® RAYDAN®	

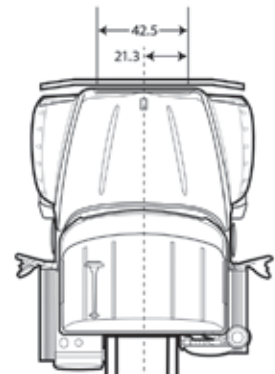
The information in this brochure was accurate as known as of the date of the publication. Illustrations may not be representative of current product. Mack Trucks, Inc. reserves the right to make changes in specifications, equipment or design, or to discontinue models or options without notice at any time.



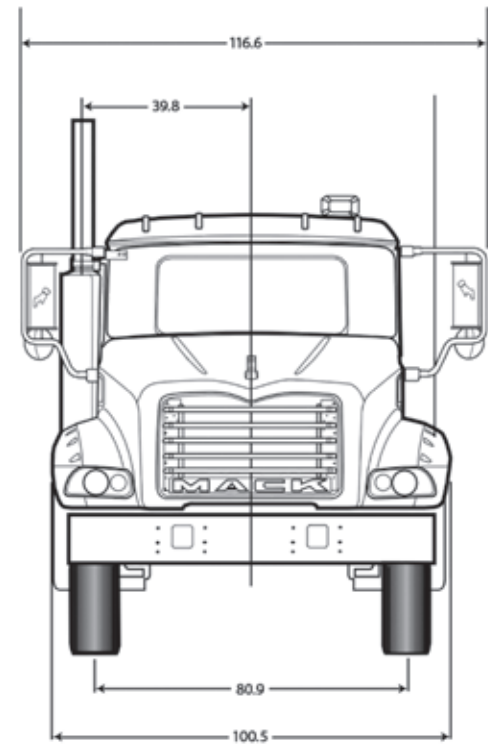
CHASSIS DIMENSIONS



WHEELBASE RANGE: 175 TO 326
AXLE FORWARD SHOWN



TRI-DRIVE SHOWN



ALL MEASUREMENTS IN INCHES.



FOR MORE INFORMATION, CALL 1-800-922-MACK (6225) OR VISIT MACKGRANITE.COM AND MACKTRUCKS.COM

©2009 Mack Trucks, Inc. All rights reserved. Mack, Mack and the Bulldog design, Granite, MaxiCruise, Maxidyne and V-MAC are registered trademarks; BodyLink, Co-Pilot, Cornerstone, GuardDog, MP and Rawhide are trademarks of Mack Trucks, Inc. Bostrom Talladega is a registered trademark of Bostrom Seating, Inc. Eaton Fuller is a registered trademark of Eaton Corporation. LEXAN is a registered trademark of General Electric Company. Hendrickson is a registered trademark of Boler Company. Meritor is a registered trademark of Rockwell International Corporation.

The information in this brochure was accurate at the date of publication. Mack Trucks, Inc. reserves the right to make changes in specifications, equipment or design, or to discontinue certain models or options without notice at any time. Warranty terms and services may vary in certain countries. Some of the equipment shown or described in this brochure is available at extra cost through retail organizations and establishments not associated with Mack Trucks, Inc.

1B-G-01/09-SWBR/15M