

T950

“There’s more to this truck than classic styling and rugged good looks. The latest technology in engine, driveline and suspension systems make the T950 an ultra-reliable workhorse able to perform superbly in a wide range of applications on or off the highway. The Kenworth T950 stands well apart from other trucks on the road.”



Traditional style

If you want a truck with traditional looks and style, that is tough enough to stand up to harsh Australian conditions, then the T950 is the truck for you.

This truck has everything that comes to mind when you think of a traditional American-style long bonneted truck. As well as looking the part, the T950 has been designed with the versatility to operate in almost any application from logging to livestock, whether pulling a single trailer or a triple road train.

“Designed, proven and manufactured in Australia, the T950 is built to handle the most demanding operating conditions, with the reliability that only Kenworth delivers.”



Designed for rugged operation

The T950 is available with an extensive choice of options. Dual exhausts can be fitted with the option of having your name laser cut into the exhaust shields. Add to this the classic chrome grille, Kenworth bull bars and aluminium wheels, and the T950 will stand well apart from other trucks on the road.

A distinctive feature of the T950 is the high mounted cab set back from the engine. This means that there is no engine intrusion into the cabin, allowing for easy all round access to the engine, making servicing and maintenance fast and efficient. The high mounted cab also allows flexibility in the frame layout. Batteries can be located under the cab leaving more room on the frame for fuel tanks, or shortening the wheel base.

If you prefer to have tool boxes under the cab, the batteries can also be frame mounted.

A true investment

Kenworth trucks are renowned for their high resale value, which makes their purchase a worthy investment. Undoubtedly one of the best looking trucks on the road, the T950 is a truck which others aspire to own. So when the time comes to look to a new Kenworth, the excellent resale value of the T950 will make the move an easy one.



Tool box under cabin.



Multiple fuel tanks.



Optional dipstick access through bonnet.



Driver Comfort and Safety

The cab has been ergonomically designed for the professional driver. Vital controls fall readily to hand without the need for excessive movement or distraction.

The sloped bonnet makes for easy forward vision and DAYLITE doors, with drop down glass section, improve sideways vision and safety. Traditional doors can be fitted as an option.

The T950 can be fitted with an optional dual skin fire wall which ducts fresh air down past the front of the cabin and out underneath the floor, taking engine heat with it. Consequently, transfer of heat into the cabin is substantially reduced, making the cabin cooler and more comfortable for the driver.

Total Option Flexibility

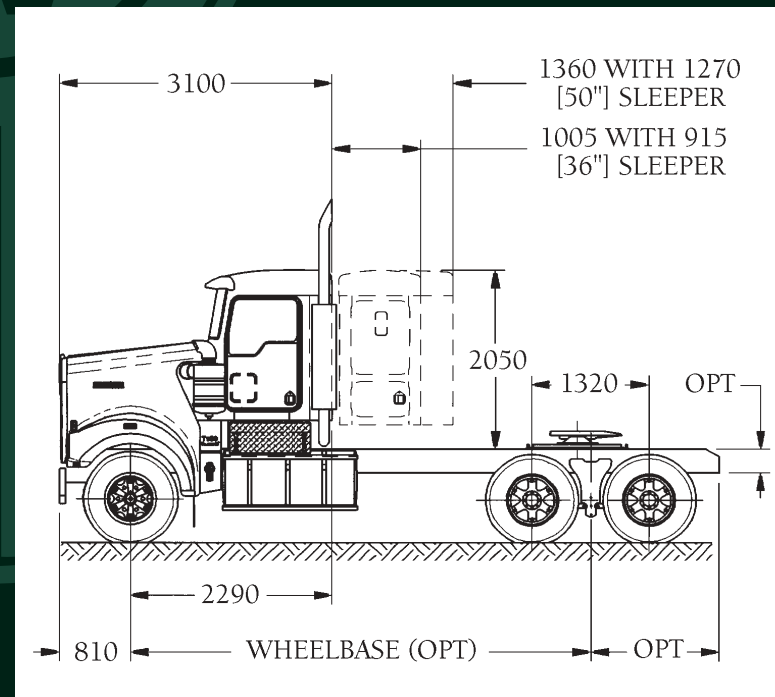
The latest options and horsepower ratings from the North American engine manufacturers can be specified on the T950 giving you the power you need to get the job done. Matched with the latest in transmissions and rear axles, the T950 can be ordered to exactly meet your operating needs.

The full range of Kenworth manufactured sleeper boxes are available for the T950 in 36 inch and 50 inch sizes, with the standard flat roof or aerodynamic roofs and/or fairings.

A range of suspension packages are available including the road friendly Kenworth Airglide 200.



Comfortable sleeper.



T950 with or without base sleepers.



Excellent visibility.

