

T402



AUSTRALIAN MADE. WORLD'S BEST.

ROOM TO MOVE AND A BIG HEART

THE T402 WILL DELIVER DAY IN, DAY OUT.

The Kenworth T402 combines renowned productivity, comfort and performance in a value package that will deliver the goods, day in, day out.

PRODUCTIVITY

Developed as a purpose built solution for intrastate and interstate distribution in single trailer, some vocational 19m B-double and rigid applications, the T402 delivers renowned Kenworth reliability, durability and productivity. The T402 offers a Cummins ISX engine rated at 450Hp with 1650lbft of torque, and a spacious and comfortable cab with wrap around dash. Optimized bumper-to-back-of-cab dimensions and set back front axle also offers additional payload advantages in an aerodynamic package.

DRIVER COMFORT AND SAFETY

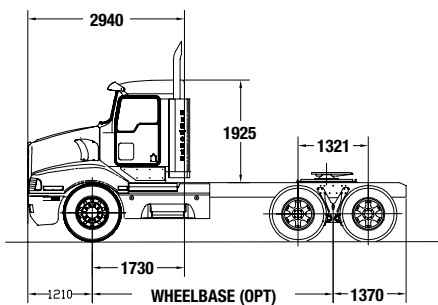
Classic styling has been teamed with the highest standards of driver comfort and safety in the T402 cab design.

The large one-piece curved windscreen offers a commanding view of the road ahead with excellent all round visibility. Daylite doors with drop-down glass sections deliver added sideways vision and safety. Two-piece windscreens are available as an option for those that prefer the traditional look. An unobstructed view of gauges and easy access to vital switches and controls are provided by the cleverly designed wrap around dash, enhancing driver comfort.

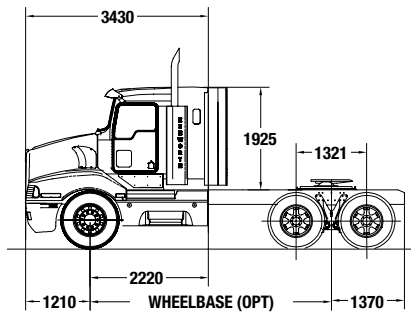


AUSTRALIAN MADE. WORLD'S BEST.

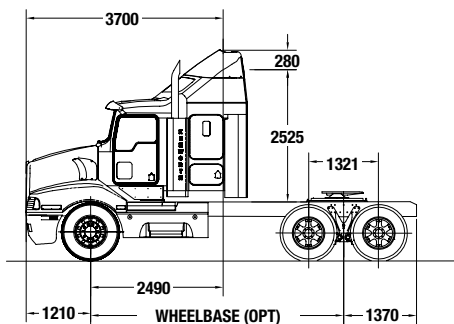
T402 Day Cab



T402 28" IT Sleeper



T402 36" Recessed Back Sleeper



	SPEC	COMMENTS
Configuration	6x4	STD
Kits	Fuel haul kit	Option
Engines	Cummins ISX 450 hp @ 1650lbft torque	STD
Exhaust	Single cab mounted	STD
	Dual cab mounted	Option
Air Cleaners	Engine mounted	STD
	External mounted	Option
Transmission	RTLO16918B	STD
	RTLO18918B	Option
	RTLO16918AS3 Autoshift	Option
	RTLO18918AS3 Autoshift	Option
Axle		
• Front	Dana E-1322	STD
	FG941	Option
• Rear	Dana DSH40P	STD
	Dana D46-170	Option
	Meritor RT40-145 & RT46-160	Option
Rear Suspension	AG400	STD
	AG460	Option
Brakes	Drum	STD
	Disc	Option
Wheels	6 spoke	STD
	Alcoa 10 Stud	Option
	Steel Disc Wheels	Option
Sleeper	28" IT	Option
	36" Aero recessed back	Option
Fuel Tanks	450L RH FWD & 4 Batt Box LH FWD	STD
	450L RH FWD, 270/180L LH FWD & 4 Batt Box LH Rear	Option
	450L RH FWD, 450LH FWD & split Batt Box Rear	Option
	4 x 450L & in-frame Batt Box	Option
Paint	Single colour cab	STD
	Up to 3 colours, 2 breaks	Option
GCM	70t limit	

AUSTRALIAN MADE. WORLD'S BEST.

PACCAR AUSTRALIA

Kenworth trucks are designed and manufactured in Australia to perform in some of the toughest and most demanding applications found anywhere in the world. They are application engineered to exacting standards, using the best technology and componentry.

Kenworth, a division of PACCAR Australia, is market leader in heavy duty trucks in Australia, and exports trucks to Papua New Guinea and New Zealand. PACCAR Australia also imports the DAF range of trucks from Europe and supports both Kenworth and DAF product ranges with the extensive AllRig parts and service network, and finance through PACCAR Financial.

From its beginning in Bayswater, Victoria in 1971, Kenworth's Australian operations have developed into a world class design, development, manufacturing and testing facility incorporating advanced training services.

PACCAR Australia follows a wide range of environmentally focused policies, procedures and controls and was awarded ISO 14001:2004 certification for its Kenworth manufacturing operation in 2007.

With over 40,000 Australian made trucks delivered, Kenworth Australia provides products and services to the transport sector that are the envy of the industry worldwide.

On a whole-of-life cost basis, there are few trucks that can approach a Kenworth in helping to produce a better bottom line for your business.

THE BEST DEALER NETWORK

Kenworth has built an extensive truck dealer network across Australia that is renowned for its professionalism and excellence in the heavy duty truck industry. The Kenworth dealer network also includes highly qualified dealers in New Zealand and Papua New Guinea.



PACCAR Inc

PACCAR Inc, a Six Sigma company, is a global technology leader in the design, manufacture and customer support of high-quality light-, medium- and heavy-duty trucks under the Kenworth, Peterbilt and DAF nameplates. There are now over 1.5 million PACCAR commercial vehicles in service worldwide. It also provides financial services and information technology and distributes truck parts related to its principal business.

PACCAR
Australia



PACCAR
FINANCIAL



AUSTRALIAN MADE. WORLD'S BEST.