

 **KENWORTH**

MID-RANGER

22-210 Tractor



AUTOLIT

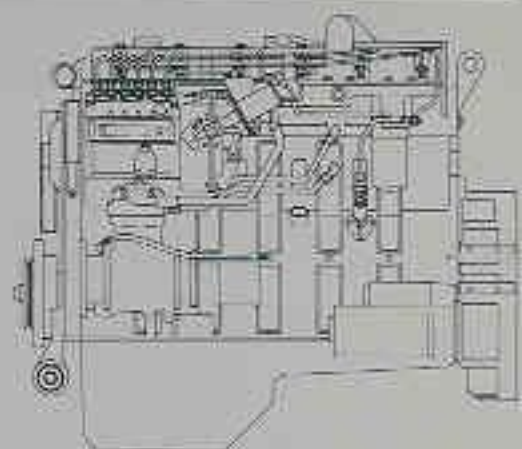


Automobile - Truck - Motorcycle 1900 to Present
ORIGINAL Sales Brochures, Manuals, Books, Posters,
Catalogs, and MUCH More. World's largest selection!

Features

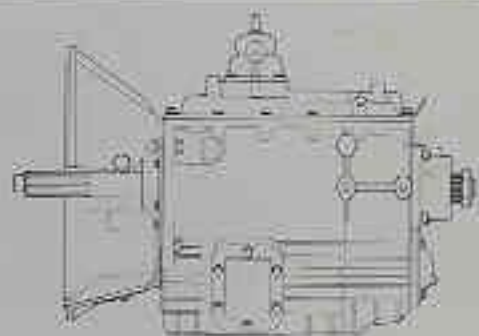


Cummins 6CT8.3 Diesel Engine
210 hp @ 2200 rpm
605 lb-ft torque @ 1500 rpm



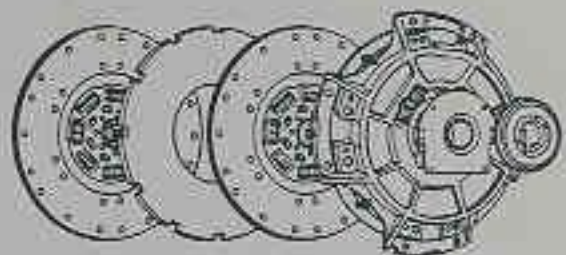
Fuller
Transmissions

Fuller "Synchro-6"
Synchronized 6-speed Transmission



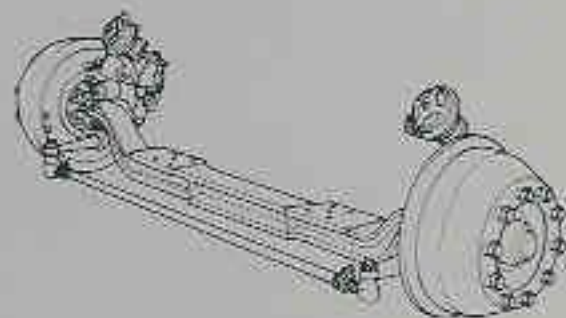
SPICER
Dodge

The Spicer 14-Inch 2-Plate Clutch
Organic Facings, Dampened Hubs



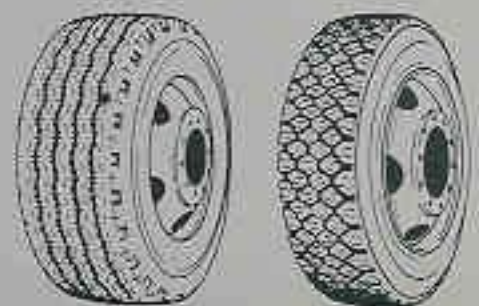
 **Rockwell**

Rockwell World Class Axles and Brakes



GOODYEAR

Goodyear Premium All Season Radial Tires

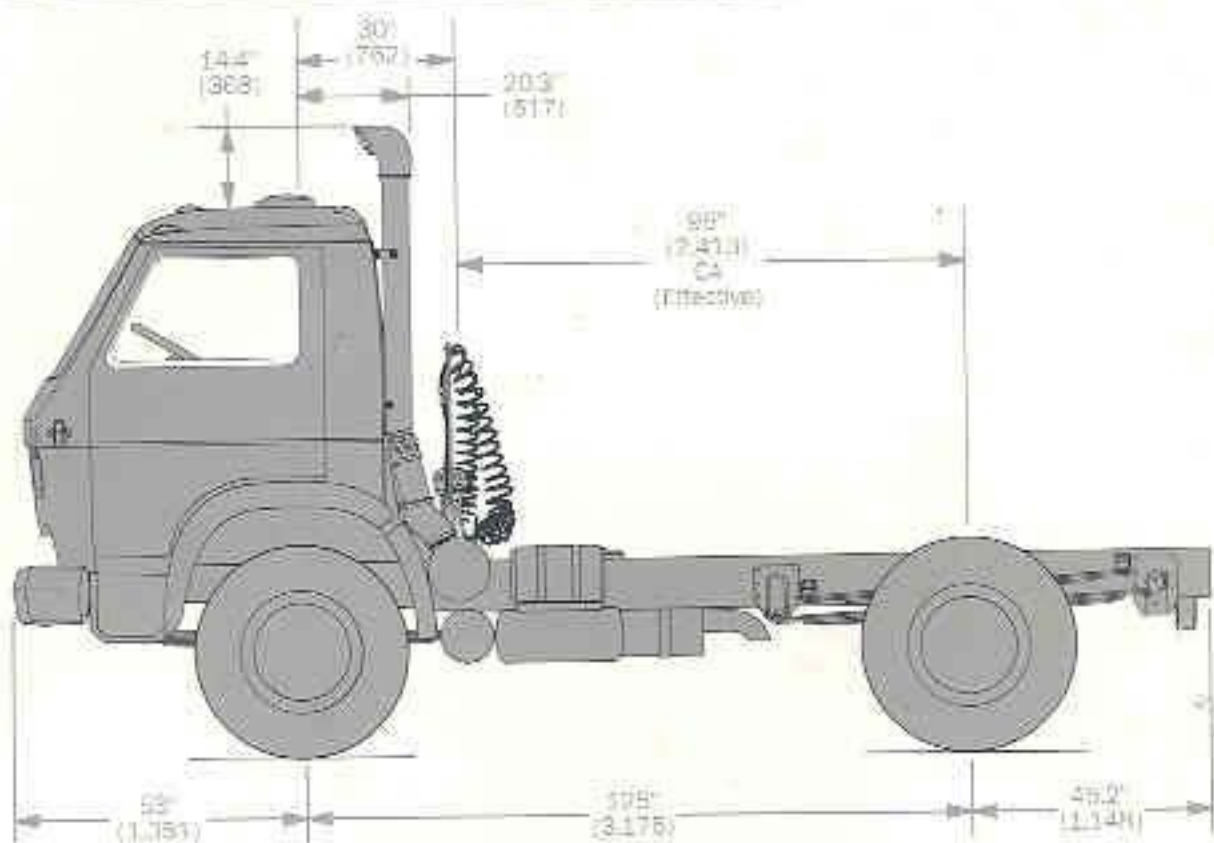


AUTOLIT



Automobile - Truck - Motorcycle 1900 to Present
ORIGINAL Sales Brochures, Manuals, Books, Posters,
Catalogs, and MUCH More. World's largest selection!

Applications



	Front Axle	Rear Axle	Total
Gross Axle Weight Ratings*	9,700	20,000	29,700
Chassis Weight Includes driver, fuel and tools. Does not include fifth wheel.	6,460	3,720	10,180

Minimum Trailer Swing Clearance at Back of Cab

Kingpin Setting	Trailer Corner Radius 96" wide trailers				
	0"	2"	5"	8"	10"
24"	54"	54"	52"	51"	51"
36"	60"	60"	58"	57"	56"

Kingpin Setting	Trailer Corner Radius 102" wide trailers				
	0"	2"	5"	8"	10"
24"	56"	56"	55"	54"	53"
36"	62"	62"	60"	59"	58"

Trailer Landing Gear Clearance

Based on 11R22.5 tires.

Fifth Wheel Setting	0"	2"	4"	6"	8"	10"	12"	14"
Required Clearance	53"	53"	55"	55"	57"	58"	59"	60"

